



PRECISION AT YOUR
FINGERTIPS

Since being established in Switzerland in 1964, Ideal-tek is a **first quality manufacturer of precision instruments** creating value through a perfect balance between **industrialization and craftsmanship** with a high understanding of end users and distributors needs and expectations.

Ideal-tek products are used every day, all over the world, by thousands of customers in the medical device manufacturing, microscopy and laboratory, electronics and semiconductor, watchmaking and jewellery industries.

Swiss manufacturer and suppliers of precision tools.

In Ideal-tek, we strongly believe that long-term partnerships are the key to our past, present and future success.

From our facility in the southern Switzerland region of Ticino, we design, manufacture and trade high-quality tweezers, cutters, pliers, scissors and custom-designed tools.

We further enhance our customer experience by offering additional complementary products carefully sourced from highly esteemed third-party providers.

These products include microscopes, scalpels and blades, printed circuit board holders, soldering/desoldering tools, and more.

Our products are sold in 45 countries by a network of some 150 distributor partners.

QUALITY ISO 9001 – ISO 13485.

Our Production Quality Control processes encompass assessments of geometry, hardness, chemical resistance, and tool life. Prior to reaching our customers, every Ideal-tek instrument undergoes a meticulous final test to ensure impeccable quality.



TWEEZERS

HIGH PRECISION TWEEZERS	8
CUTTING TWEEZERS	22
PLASTIC REPLACEABLE TIP TWEEZERS	29
PLASTIC TIP TWEEZERS	38
FULL PLASTIC TWEEZERS	42
CERAMIC REPLACEABLE TIP TWEEZERS	48
FULL CERAMIC TWEEZERS	52
MINI TWEEZERS	54
ESD DIAMOND COATED TWEEZERS	58
ESD RUBBER GRIP TWEEZERS	64
ESD FOAM GRIP TWEEZERS	68
ESD EPOXY COATED TWEEZERS	71
PTFE COATED TWEEZERS	81
REVERSE ACTION TWEEZERS	86
PREMIUM ECONOMY TWEEZERS	90
ECONOMY TWEEZERS	96
WAFER TWEEZERS	102
SMD TWEEZERS	108
COMPONENT POSITIONING TWEEZERS	114
BOLEY TWEEZERS	116
GENERAL PURPOSE TWEEZERS	119
HEAVY DUTY TWEEZERS	126
GOLD PLATED TWEEZERS	130
PRECISION HAND TOOL KIT	134

CUTTERS & PLIERS

IDEAL-TEK CUTTERS & PLIERS	136
HIGH PRECISION CUTTERS	138
TUNGSTEN CARBIDE CUTTERS	144
HIGH PRECISION PLIERS	148
HAIRSPRING CUTTERS	152

SCISSORS

IDEAL-TEK SCISSORS	154
HIGH PRECISION SCISSORS	156
ULTRACUT SCISSORS	160
MICRO SCISSORS	162
PROCUT SCISSORS	164
EASYCUT SCISSORS	168
INDUSTRIAL SCISSORS	170
SMARTCUT SCISSORS	174
MULTI-PURPOSE SCISSORS	176

PROBES & SPATULAS

MICROSPATULAS	178
ESD PLASTIC PROBES & SPATULAS	181
STAINLESS STEEL PROBES	184
STAINLESS STEEL SPATULAS	185

WORKBENCH ACCESSORIES

PCB HOLDERS	187
STICKY SWABS	190
VACUUM TOOLS	192
SOLVENT DISPENSERS	194

TESTERS

SMART TWEEZERS	196
SMART TWEEZERS BLUETOOTH	196
SMART TWEEZERS LED TESTER	196

VISUAL INSPECTION

MAGNIFYING LED LAMPS	198
HD INSPECTION CAMERA	200
LOUPES	202
CLEANING PEN SYSTEM	204

HIGH PRECISION TWEEZERS

HIGH PRECISION TWEEZERS | ADDICTED TO PRECISION



Expertly crafted with precision, our high-quality tweezers feature finely polished edges and a superior no-scratch/antiglare satin finish, exhibiting perfect symmetry and tip balance.

0



Part Number	Tip Style	Tip Description	Handle Serration	OAL	Body Material	Body Finishing
0.SA.0	0	straight, fine, sharp	-	120 mm 4.72"	anti-acid/anti-mag stainless steel	sandblasted

00



Part Number	Tip Style	Tip Description	Handle Serration	OAL	Body Material	Body Finishing
00.SA.0	00	straight, thick, squared, strong	-	120 mm 4.72"	anti-acid/anti-mag stainless steel	sandblasted
00E.SA.0	00	straight, fine, squared, strong	-	120 mm 4.72"	anti-acid/anti-mag stainless steel	sandblasted
00B.SA.0	00	straight, thick, squared, strong	line serrated	120 mm 4.72"	anti-acid/anti-mag stainless steel	sandblasted
00D.SA.0	00	straight, thick, squared, strong, line serrated	line serrated	120 mm 4.72"	anti-acid/anti-mag stainless steel	sandblasted

000



Part Number	Tip Style	Tip Description	Handle Serration	OAL	Body Material	Body Finishing
000.SA.0	000	straight, fine	-	120 mm 4.72"	anti-acid/anti-mag stainless steel	sandblasted



HIGH PRECISION TWEEZERS

0C9



Part Number	Tip Style	Tip Description	Handle Serration	OAL	Body Material	Body Finishing
0C9.SA.0	0C9	straight, fine, sharp	-	90 mm 3.54"	anti-acid/anti-mag stainless steel	sandblasted

1



Part Number	Tip Style	Tip Description	Handle Serration	OAL	Body Material	Body Finishing
1.SA.0	1	straight, fine, pointed	-	120 mm 4.72"	anti-acid/anti-mag stainless steel	sandblasted
1.S.0	1	straight, fine, pointed	-	120 mm 4.72"	stainless steel	sandblasted
1.C.0	1	straight, fine, pointed	-	120 mm 4.72"	carbon steel	sandblasted
1.TA.0	1	straight, fine, pointed	-	120 mm 4.72"	titanium	sandblasted
1.NC.0	1	straight, fine, pointed	-	120 mm 4.72"	superalloy anti-acid/anti-mag	sandblasted

2

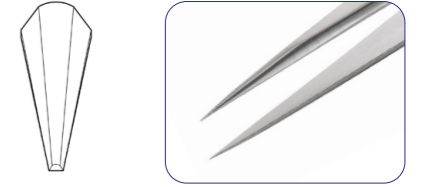


Part Number	Tip Style	Tip Description	Handle Serration	OAL	Body Material	Body Finishing
2.SA.0	2	straight, very fine, pointed	-	120 mm 4.72"	anti-acid/anti-mag stainless steel	sandblasted
2.NC.0	2	straight, very fine, pointed	-	120 mm 4.72"	superalloy anti-acid/anti-mag	sandblasted



HIGH PRECISION TWEEZERS

26



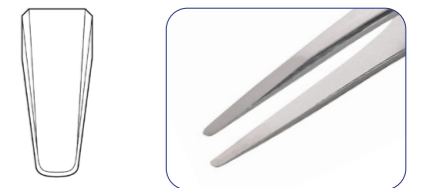
Part Number	Tip Style	Tip Description	Handle Serration	OAL	Body Material	Body Finishing
26.SA.0	26	straight, fine, pointed, strong	-	135 mm 5.31"	anti-acid/anti-mag stainless steel	sandblasted

27



Part Number	Tip Style	Tip Description	Handle Serration	OAL	Body Material	Body Finishing
27C.BR.0	27	straight, fine, pointed, strong	-	130 mm 5.12"	brass	sandblasted
27CL.BR.0	27	straight, fine, pointed, strong, polished	-	130 mm 5.12"	brass	sandblasted
27.SA.0	27	straight, fine, pointed, strong	-	135 mm 5.31"	anti-acid/anti-mag stainless steel	sandblasted

2A



Part Number	Tip Style	Tip Description	Handle Serration	OAL	Body Material	Body Finishing
2A.SA.0	2A	straight, fine, round, flat	-	120 mm 4.72"	anti-acid/anti-mag stainless steel	sandblasted
2A.S.0	2A	straight, fine, round, flat	-	120 mm 4.72"	stainless steel	sandblasted
2A.C.0	2A	straight, fine, round, flat	-	120 mm 4.72"	carbon steel	sandblasted
2A.TA.0	2A	straight, fine, round, flat	-	120 mm 4.72"	titanium	sandblasted
2A.NC.0	2A	straight, very fine, round, flat	-	120 mm 4.72"	superalloy anti-acid/anti-mag	sandblasted
2AE.SA.0	2A	straight, fine, round, flat	-	120 mm 4.72"	anti-acid/anti-mag stainless steel	sandblasted



HIGH PRECISION TWEEZERS

2A



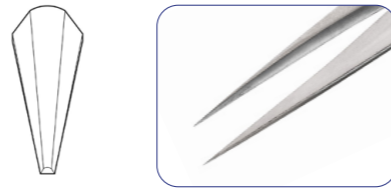
Part Number	Tip Style	Tip Description	Handle Serration	OAL	Body Material	Body Finishing
2AB.SA.0	2A	curved, fine, round, flat	-	120 mm 4.72"	anti-acid/anti-mag stainless steel	sandblasted

2AZ



Part Number	Tip Style	Tip Description	Handle Serration	OAL	Body Material	Body Finishing
2AZ.SA.0	2AZ	double bent, fine, round, flat	-	120 mm 4.72"	anti-acid/anti-mag stainless steel	sandblasted

3

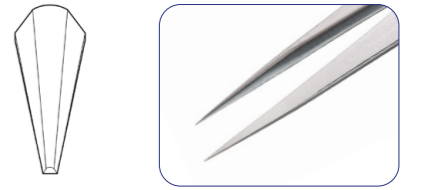


Part Number	Tip Style	Tip Description	Handle Serration	OAL	Body Material	Body Finishing
3.SA.0	3	straight, fine, pointed	-	120 mm 4.72"	anti-acid/anti-mag stainless steel	sandblasted
3.S.0	3	straight, fine, pointed	-	120 mm 4.72"	stainless steel	sandblasted
3.C.0	3	straight, fine, pointed	-	120 mm 4.72"	carbon steel	sandblasted
3.TA.0	3	straight, fine, pointed	-	120 mm 4.72"	titanium	sandblasted
3.NC.0	3	straight, fine, pointed	-	120 mm 4.72"	superalloy anti-acid/anti-mag	sandblasted
3SG.CX.0	3	straight, ultra fine, pointed	line serrated	120 mm 4.72"	superalloy anti-acid/anti-mag	polished
3.DX.0	3	straight, ultra fine, pointed	-	120 mm 4.72"	high-alloy anti-acid/anti-mag SS	polished
NEW 3.KO.0	3	straight, ultra fine, pointed	-	120 mm 4.72"	cobalt alloy	polished



HIGH PRECISION TWEEZERS

3



Part Number	Tip Style	Tip Description	Handle Serration	OAL	Body Material	Body Finishing
3C.SA.0	3	straight, fine, pointed	-	110 mm 4.33"	anti-acid/anti-mag stainless steel	sandblasted
3C.S.0	3	straight, fine, sharp	-	110 mm 4.33"	stainless steel	sandblasted
3C.C.0	3	straight, fine, sharp	-	110 mm 4.33"	carbon steel	sandblasted
3C.TA.0	3	straight, fine, sharp	-	110 mm 4.33"	titanium	sandblasted
3C.NC.0	3	straight, fine, pointed	-	110 mm 4.33"	superalloy anti-acid/anti-mag	sandblasted

3



Part Number	Tip Style	Tip Description	Handle Serration	OAL	Body Material	Body Finishing
3CB.SA.0	3	bent, fine, pointed	-	110 mm 4.33"	anti-acid/anti-mag stainless steel	sandblasted

4

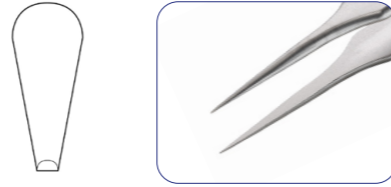


Part Number	Tip Style	Tip Description	Handle Serration	OAL	Body Material	Body Finishing
4.SA.0	4	straight, very fine, sharp	-	110 mm 4.33"	anti-acid/anti-mag stainless steel	sandblasted
4.NC.0	4	straight, very fine, sharp	-	110 mm 4.33"	superalloy anti-acid/anti-mag	sandblasted
4SG.CX.0	4	straight, ultra fine, sharp	line serrated	110 mm 4.33"	superalloy anti-acid/anti-mag	polished
4.DX.0	4	straight, ultra fine, sharp	-	110 mm 4.33"	high-alloy anti-acid/anti-mag SS	polished
NEW 4.KO.0	4	straight, ultra fine, sharp	-	110 mm 4.33"	cobalt alloy	polished



HIGH PRECISION TWEEZERS

4



Part Number	Tip Style	Tip Description	Handle Serration	OAL	Body Material	Body Finishing
4A.SA.0	4	straight, fine, strong	-	110 mm 4.33"	anti-acid/anti-mag stainless steel	sandblasted

5



Part Number	Tip Style	Tip Description	Handle Serration	OAL	Body Material	Body Finishing
5.SA.0	5	straight, very fine, sharp	-	110 mm 4.33"	anti-acid/anti-mag stainless steel	sandblasted
5.S.0	5	straight, very fine, sharp	-	110 mm 4.33"	stainless steel	sandblasted
5.C.0	5	straight, very fine, sharp	-	110 mm 4.33"	carbon steel	sandblasted
5.TA.0	5	straight, fine, sharp	-	110 mm 4.33"	titanium	sandblasted
5.NC.0	5	straight, very fine, sharp	-	110 mm 4.33"	superalloy anti-acid/anti-mag	sandblasted
5SG.CX.0	5	straight, ultra fine, sharp	line serrated	110 mm 4.33"	superalloy anti-acid/anti-mag	polished
5.DX.0	5	straight, ultra fine, sharp	-	110 mm 4.33"	high-alloy anti-acid/anti-mag SS	polished
NEW 5.KO.0	5	straight, ultra fine, sharp	-	110 mm 4.33"	cobalt alloy	polished

5A



Part Number	Tip Style	Tip Description	Handle Serration	OAL	Body Material	Body Finishing
5A.SA.0	5A	straight, very fine, sharp	-	110 mm 4.33"	anti-acid/anti-mag stainless steel	sandblasted



HIGH PRECISION TWEEZERS

5



Part Number	Tip Style	Tip Description	Handle Serration	OAL	Body Material	Body Finishing
5B.SA.0	5	bent, very fine, sharp	-	110 mm 4.33"	anti-acid/anti-mag stainless steel	sandblasted

5



Part Number	Tip Style	Tip Description	Handle Serration	OAL	Body Material	Body Finishing
5C.SA.0	5	bent, fine, sharp	-	115 mm 4.53"	anti-acid/anti-mag stainless steel	sandblasted

51S



Part Number	Tip Style	Tip Description	Handle Serration	OAL	Body Material	Body Finishing
51S.SA.0	51S	bent, very fine	-	115 mm 4.53"	anti-acid/anti-mag stainless steel	sandblasted
51S.TA.0	51S	bent, fine	-	115 mm 4.53"	titanium	sandblasted

6



Part Number	Tip Style	Tip Description	Handle Serration	OAL	Body Material	Body Finishing
6.SA.0	6	angled, very fine	-	115 mm 4.53"	anti-acid/anti-mag stainless steel	sandblasted



HIGH PRECISION TWEEZERS



Part Number	Tip Style	Tip Description	Handle Serration	OAL	Body Material	Body Finishing
65A.SA.0	65A	bent, very fine, very sharp	-	140 mm 5.51"	anti-acid/anti-mag stainless steel	sandblasted



Part Number	Tip Style	Tip Description	Handle Serration	OAL	Body Material	Body Finishing
7.SA.0	7	curved, very fine, sharp	-	120 mm 4.72"	anti-acid/anti-mag stainless steel	sandblasted
7.S.0	7	curved, very fine, sharp	-	120 mm 4.72"	stainless steel	sandblasted
7.C.0	7	curved, very fine, sharp	-	120 mm 4.72"	carbon steel	sandblasted
7.TA.0	7	curved, fine, sharp	-	120 mm 4.72"	titanium	sandblasted
7.NC.0	7	curved, very fine, sharp	-	120 mm 4.72"	superalloy anti-acid/anti-mag	sandblasted
7SG.CX.0	7	curved, ultra fine	line serrated	120 mm 4.72"	superalloy anti-acid/anti-mag	polished
7.DX.0	7	curved, ultra fine	-	120 mm 4.72"	high-alloy anti-acid/anti-mag SS	polished
NEW 7.KO.0	7	curved, ultra fine	-	120 mm 4.72"	cobalt alloy	polished



Part Number	Tip Style	Tip Description	Handle Serration	OAL	Body Material	Body Finishing
7A.SA.0	7	curved, fine, sharp	-	120 mm 4.72"	anti-acid/anti-mag stainless steel	sandblasted



HIGH PRECISION TWEEZERS



Part Number	Tip Style	Tip Description	Handle Serration	OAL	Body Material	Body Finishing
7B.SA.0	7	curved, fine, sharp, line serrated	-	120 mm 4.72"	anti-acid/anti-mag stainless steel	sandblasted



Part Number	Tip Style	Tip Description	Handle Serration	OAL	Body Material	Body Finishing
33A.SA.1	33A	straight, thin, round	line serrated	115 mm 4.53"	anti-acid/anti-mag stainless steel	sandblasted



Part Number	Tip Style	Tip Description	Handle Serration	OAL	Body Material	Body Finishing
34A.SA.1	34A	straight, thin, squared, flat	Line serrated	120 mm 4.72"	anti-acid/anti-mag stainless steel	sandblasted



Part Number	Tip Style	Tip Description	Handle Serration	OAL	Body Material	Body Finishing
35A.SA.1	35A	straight, thin, squared, flat	line serrated	120 mm 4.72"	anti-acid/anti-mag stainless steel	sandblasted



HIGH PRECISION TWEEZERS

36A



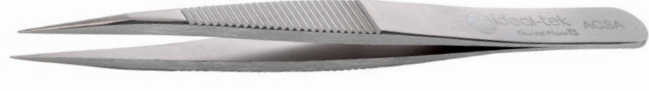
Part Number	Tip Style	Tip Description	Handle Serration	OAL	Body Material	Body Finishing
36A.SA.1	36A	bent, thin, squared, flat	Line serrated	120 mm 4.72"	anti-acid/anti-mag stainless steel	sandblasted

10G



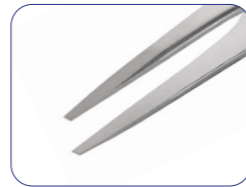
Part Number	Tip Style	Tip Description	Handle Serration	OAL	Body Material	Body Finishing
10G.SA.0	10G	straight, thick, beveled, line serrated	line serrated	110 mm 4.33"	anti-acid/anti-mag stainless steel	sandblasted

AC



Part Number	Tip Style	Tip Description	Handle Serration	OAL	Body Material	Body Finishing
AC.SA.0	AC	straight, strong	line serrated	110 mm 4.33"	anti-acid/anti-mag stainless steel	sandblasted

F

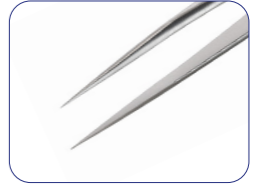


Part Number	Tip Style	Tip Description	Handle Serration	OAL	Body Material	Body Finishing
F.SA.0	F	straight, very fine, squared, strong	-	120 mm 4.72"	anti-acid/anti-mag stainless steel	sandblasted



HIGH PRECISION TWEEZERS

SS



Part Number	Tip Style	Tip Description	Handle Serration	OAL	Body Material	Body Finishing
SS.SA.0	SS	straight, very fine, very sharp	-	140 mm 5.51"	anti-acid/anti-mag stainless steel	sandblasted
SS6.SA.0	SS	straight, fine, very sharp	-	155 mm 6.10"	anti-acid/anti-mag stainless steel	sandblasted

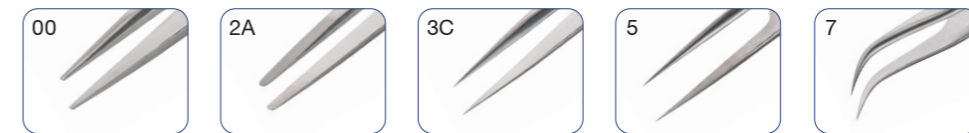
HIGH PRECISION TWEEZER KIT

K5HP.SA



K5HP.SA

Kit of 5 High Precision Tweezers: 00, 2A, 3C, 5, 7



Part Number	Tip Style	Tip Description	OAL	Body Material	Body Finishing
00.SA.0	00	straight, thick, squared, strong	120 mm 4.72"	anti-acid/anti-mag stainless steel	sandblasted
2A.SA.0	2A	straight, very fine, round, flat	120 mm 4.72"	anti-acid/anti-mag stainless steel	sandblasted
3C.SA.0	3	straight, fine, pointed	110 mm 4.33"	anti-acid/anti-mag stainless steel	sandblasted
5.SA.0	5	straight, very fine, sharp	110 mm 4.33"	anti-acid/anti-mag stainless steel	sandblasted
7.SA.0	7	curved, very fine	118 mm 4.65"	anti-acid/anti-mag stainless steel	sandblasted



HIGH PRECISION TWEEZER KIT

K5HP1

K5HP



Kit of 5 High Precision Tweezers: 1, 2A, 3C, 5, 7



K5HP1.SA

Part Number	Tip Style	Tip Description	OAL	Body Material	Body Finishing
1.SA.0	1	straight, fine, pointed	120 mm 4.72"	anti-acid/anti-mag stainless steel	sandblasted
2A.SA.0	2A	straight, very fine, round, flat	120 mm 4.72"	anti-acid/anti-mag stainless steel	sandblasted
3C.SA.0	3	straight, fine, pointed	110 mm 4,33"	anti-acid/anti-mag stainless steel	sandblasted
5.SA.0	5	straight, very fine, sharp	110 mm 4,33"	anti-acid/anti-mag stainless steel	sandblasted
7.SA.0	7	curved, very fine	118 mm 4.65"	anti-acid/anti-mag stainless steel	sandblasted

K5HP1.S

Part Number	Tip Style	Tip Description	OAL	Body Material	Body Finishing
1.S.0	1	straight, fine, pointed	120 mm 4.72"	stainless steel	sandblasted
2A.S.0	2A	straight, very fine, round, flat	120 mm 4.72"	stainless steel	sandblasted
3C.S.0	3	straight, fine, pointed	110 mm 4,33"	stainless steel	sandblasted
5.S.0	5	straight, very fine, sharp	110 mm 4,33"	stainless steel	sandblasted
7.S.0	7	curved, very fine	118 mm 4.65"	stainless steel	sandblasted

K5HP1.C

Part Number	Tip Style	Tip Description	OAL	Body Material	Body Finishing
1.C.0	1	straight, fine, pointed	120 mm 4.72"	carbon steel	sandblasted
2A.C.0	2A	straight, very fine, round, flat	120 mm 4.72"	carbon steel	sandblasted
3C.C.0	3	straight, fine, pointed	110 mm 4,33"	carbon steel	sandblasted
5.C.0	5	straight, very fine, sharp	110 mm 4,33"	carbon steel	sandblasted
7.C.0	7	curved, very fine	118 mm 4.65"	carbon steel	sandblasted

K5HP1.TA

Part Number	Tip Style	Tip Description	OAL	Body Material	Body Finishing
1.TA.0	1	straight, fine, pointed	120 mm 4.72"	titanium	sandblasted
2A.TA.0	2A	straight, very fine, round, flat	120 mm 4.72"	titanium	sandblasted
3C.TA.0	3	straight, fine, pointed	110 mm 4,33"	titanium	sandblasted
5.TA.0	5	straight, very fine, sharp	110 mm 4,33"	titanium	sandblasted
7.TA.0	7	curved, very fine	118 mm 4.65"	titanium	sandblasted

K5HP1.NC

Part Number	Tip Style	Tip Description	OAL	Body Material	Body Finishing
1.NC.0	1	straight, fine, pointed	120 mm 4.72"	superalloy anti-acid/anti-mag	sandblasted
2A.NC.0	2A	straight, very fine, round, flat	120 mm 4.72"	superalloy anti-acid/anti-mag	sandblasted
3C.NC.0	3	straight, fine, pointed	110 mm 4,33"	superalloy anti-acid/anti-mag	sandblasted
5.NC.0	5	straight, very fine, sharp	110 mm 4,33"	superalloy anti-acid/anti-mag	sandblasted
7.NC.0	7	curved, very fine	118 mm 4.65"	superalloy anti-acid/anti-mag	sandblasted



CUTTING TWEEZERS



The high-grade carbon steel cutting tweezers feature a tapered slim design for superior precision in cutting, dissecting and segmenting tiny items while working in narrow spaces.

CUTTING

TWEEZERS | ADDICTED TO PRECISION



152



Part Number	Tip Style	Tip Description	OAL	Body Material	Grip handle material	Body coating/finishing	ESD
152.S.0	152	predominantly angled blades	100 mm 3.94"	stainless steel	-	sandblasted	no

14A



Part Number	Tip Style	Tip Description	OAL	Body Material	Grip handle material	Body coating/finishing	ESD
14A.C.0	14A	predominantly angled blades	115 mm 4.53"	carbon steel	-	sandblasted	no

14AGW



Part Number	Tip Style	Tip Description	OAL	Body Material	Grip handle material	Body coating/finishing	ESD
14AGW.C.0	14AGW	predominantly angled blades	115 mm 4.53"	carbon steel	-	sandblasted	no

15A



Part Number	Tip Style	Tip Description	OAL	Body Material	Grip handle material	Body coating/finishing	ESD
15A.C.0	15A	angled blades	120 mm 4.72"	carbon steel	-	sandblasted	no



CUTTING TWEEZERS

15AFW



Part Number	Tip Style	Tip Description	OAL	Body Material	Grip handle material	Body coating/finishing	ESD
15AFW.C.0	15AFW	predominantly angled blades	115 mm 4.53"	carbon steel	-	sandblasted	no

15AGHM



Part Number	Tip Style	Tip Description	OAL	Body Material	Grip handle material	Body coating/finishing	ESD
15AGHM.SA.0	15AGHM	parallel blades, tungsten carbide	115 mm 4.53"	anti-acid/anti-mag stainless steel	-	sandblasted	no

15AGW



Part Number	Tip Style	Tip Description	OAL	Body Material	Grip handle material	Body coating/finishing	ESD
15AGW.C.0	15AGW	predominantly angled blades	115 mm 4.53"	carbon steel	-	sandblasted	no

15AP



Part Number	Tip Style	Tip Description	OAL	Body Material	Grip handle material	Body coating/finishing	ESD
15APC.0	15AP	parallel blades	120 mm 4.72"	carbon steel	-	sandblasted	no



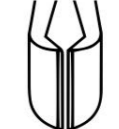
CUTTING TWEEZERS

15ARW



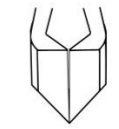
Part Number	Tip Style	Tip Description	OAL	Body Material	Grip handle material	Body coating/finishing	ESD
15ARW.C.0	15ARW	predominantly angled blades	115 mm 4.53"	carbon steel	-	sandblasted	no

15ASW



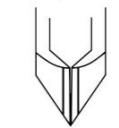
Part Number	Tip Style	Tip Description	OAL	Body Material	Grip handle material	Body coating/finishing	ESD
15ASW.C.0	15ASW	predominantly angled blades	115 mm 4.53"	carbon steel	-	sandblasted	no

15AGWM



Part Number	Tip Style	Tip Description	OAL	Body Material	Grip handle material	Body coating/finishing	ESD
NEW 15AGWM.C.D.0	15AGWM	predominantly angled blades	115 mm 4.53"	carbon steel	-	diamond	no

15ARW



Part Number	Tip Style	Tip Description	OAL	Body Material	Grip handle material	Body coating/finishing	ESD
NEW 15ARWM.C.D.0	15ARW	predominantly angled blades	115 mm 4.53"	carbon steel	-	diamond	no



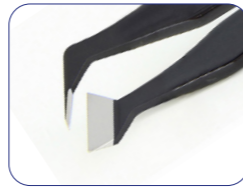
CUTTING TWEEZERS

14AGW



Part Number	Tip Style	Tip Description	OAL	Body Material	Grip handle material	Body coating/finishing	ESD
14AGW.C.N.0	14AGW	predominantly angled blades	115 mm 4.53"	carbon steel	-	black epoxy	yes

15A



Part Number	Tip Style	Tip Description	OAL	Body Material	Grip handle material	Body coating/finishing	ESD
15A.C.N.0	15A	angled blades	120 mm 4.72"	carbon steel	-	black epoxy	yes

15AGHM



Part Number	Tip Style	Tip Description	OAL	Body Material	Grip handle material	Body coating/finishing	ESD
15AGHM.SA.NE.0	15AGHM	parallel blades, tungsten carbide	115 mm 4.53"	anti-acid/anti-mag stainless steel	-	black epoxy	yes

15AGW



Part Number	Tip Style	Tip Description	OAL	Body Material	Grip handle material	Body coating/finishing	ESD
15AGW.C.N.0	15AGW	predominantly angled blades	115 mm 4.53"	carbon steel	-	black epoxy	yes



CUTTING TWEEZERS

15AGWM



Part Number	Tip Style	Tip Description	OAL	Body Material	Grip handle material	Body coating/finishing	ESD
15AGWM.C.N.0	15AGWM	predominantly angled blades	115 mm 4.53"	carbon steel	-	black epoxy	yes

15ARW



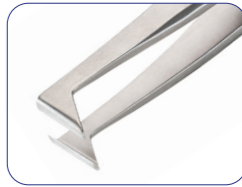
Part Number	Tip Style	Tip Description	OAL	Body Material	Grip handle material	Body coating/finishing	ESD
15ARW.C.N.0	15ARW	predominantly angled blades	115 mm 4.53"	carbon steel	-	black epoxy	yes

15ARW



Part Number	Tip Style	Tip Description	OAL	Body Material	Grip handle material	Body coating/finishing	ESD
15ARWM.C.N.0	15ARW	predominantly angled blades	115 mm 4.53"	carbon steel	-	black epoxy	yes

14A



Part Number	Tip Style	Tip Description	OAL	Body Material	Grip handle material	Body coating/finishing	ESD
14A.C.DR.0	14A	predominantly angled blades	115 mm 4.53"	carbon steel	blue rubber	sandblasted	yes



CUTTING TWEEZERS

14AGW



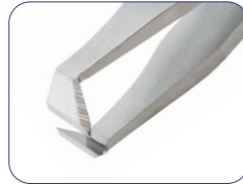
Part Number	Tip Style	Tip Description	OAL		Body Material	Grip handle material	Body coating/finishing	ESD
14AGW.C.DR.0	14AGW	predominantly angled blades	115 mm	4.53"	carbon steel	blue rubber	sandblasted	yes

15A



Part Number	Tip Style	Tip Description	OAL		Body Material	Grip handle material	Body coating/finishing	ESD
15A.C.DR.0	15A	angled blades	125 mm	4.92"	carbon steel	blue rubber	sandblasted	yes

15AGW



Part Number	Tip Style	Tip Description	OAL		Body Material	Grip handle material	Body coating/finishing	ESD
15AGW.C.DR.0	15AGW	predominantly angled blades	120 mm	4.72"	carbon steel	blue rubber	sandblasted	yes

15AGW



Part Number	Tip Style	Tip Description	OAL		Body Material	Grip handle material	Body coating/finishing	ESD
15AGW.C.DN.0	15AGW	predominantly angled blades	120 mm	4.72"	carbon steel	black foam	sandblasted	yes

PLASTIC REPLACEABLE TIP TWEEZERS



Sturdy replacement tips that self-align, accompanied by anti-magnetic stainless steel handles. Ideal for delicately handling sensitive electronic components, ceramics, and glass parts where preserving non-metallic, scratch-free surfaces is crucial.



PLASTIC REPLACEABLE TIP

TWEEZERS | ADDICTED TO PRECISION



PLASTIC REPLACEABLE TIP TWEEZERS

00



Part Number	Tip Style	Tips #	Tip Description	OAL	Tip Material	Body Material	ESD
NEW 00CCFR.SA.1	00	A00CF	straight, thick, squared	115 mm 4.53"	carbon fiber	anti-acid/anti-mag stainless steel	yes
00CFR.SA.1	00	A00CF	straight, thick, squared	130 mm 5.12"	carbon fiber	anti-acid/anti-mag stainless steel	yes
00DGR.SA.1	00	A00DG	straight, thick, squared	130 mm 5.12"	white delrin	anti-acid/anti-mag stainless steel	no
00SVR.SA.1	00	A00SV	straight, thick, squared	130 mm 5.12"	PVDF	anti-acid/anti-mag stainless steel	yes

2



Part Number	Tip Style	Tips #	Tip Description	OAL	Tip Material	Body Material	ESD
2CFR.SA.1	2	A2CF	straight, fine, pointed	130 mm 5.12"	carbon fiber	anti-acid/anti-mag stainless steel	yes

242



Part Number	Tip Style	Tips #	Tip Description	OAL	Tip Material	Body Material	ESD
NEW 242CCFR.SA.1	242	A242CF	straight, fine	115 mm 4.53"	carbon fiber	anti-acid/anti-mag stainless steel	yes
242CFR.SA.1	242	A242CF	straight, fine	130 mm 5.12"	carbon fiber	anti-acid/anti-mag stainless steel	yes
242CPR.SA.1	242	A242CP	straight, fine	130 mm 5.12"	carbon PEEK	anti-acid/anti-mag stainless steel	yes
242DGR.SA.1	242	A242DG	straight, fine	130 mm 5.12"	white delrin	anti-acid/anti-mag stainless steel	no
242SVR.SA.1	242	A242SV	straight, fine	130 mm 5.12"	PVDF	anti-acid/anti-mag stainless steel	yes

242B



Part Number	Tip Style	Tips #	Tip Description	OAL	Tip Material	Body Material	ESD
NEW 242BCCFR.SA.1	242B	A242BCF	curved, fine	115 mm 4.53"	carbon fiber	anti-acid/anti-mag stainless steel	yes
242BCFR.SA.1	242B	A242BCF	curved, fine	130 mm 5.12"	carbon fiber	anti-acid/anti-mag stainless steel	yes

246



Part Number	Tip Style	Tips #	Tip Description	OAL	Tip Material	Body Material	ESD
246CFR.SA.1	246	A246CF	angled, very fine, pointed	125 mm 4.92"	carbon fiber	anti-acid/anti-mag stainless steel	yes
246CPR.SA.1	246	A246CP	angled, very fine, pointed	125 mm 4.92"	carbon PEEK	anti-acid/anti-mag stainless steel	yes
246SVR.SA.1	246	A246SV	angled, very fine, pointed	125 mm 4.92"	PVDF	anti-acid/anti-mag stainless steel	yes

249



Part Number	Tip Style	Tips #	Tip Description	OAL	Tip Material	Body Material	ESD
NEW 249CCFR.SA.1	249	A249CF	straight, thick, beveled, strong	115 mm 4.53"	carbon fiber	anti-acid/anti-mag stainless steel	yes
249CFR.SA.1	249	A249CF	straight, thick, beveled, strong	130 mm 5.12"	carbon fiber	anti-acid/anti-mag stainless steel	yes
249CPR.SA.1	249	A249CP	straight, thick, beveled, strong	130 mm 5.12"	carbon PEEK	anti-acid/anti-mag stainless steel	yes
249DGR.SA.1	249	A249DG	straight, thick, beveled, strong	130 mm 5.12"	white delrin	anti-acid/anti-mag stainless steel	no
249SVR.SA.1	249	A249SV	straight, thick, beveled, strong	130 mm 5.12"	PVDF	anti-acid/anti-mag stainless steel	yes



PLASTIC REPLACEABLE TIP TWEEZERS

259



Part Number	Tip Style	Tips #	Tip Description	OAL	Tip Material	Body Material	ESD
NEW 259CCFR.SA.1	259	A259CF	straight, pointed, strong	115 mm 4.53"	carbon fiber	anti-acid/anti-mag stainless steel	yes
259CFR.SA.1	259	A259CF	straight, pointed, strong	130 mm 5.12"	carbon fiber	anti-acid/anti-mag stainless steel	yes
259CPR.SA.1	259	A259CP	straight, pointed, strong	130 mm 5.12"	carbon PEEK	anti-acid/anti-mag stainless steel	yes
259DGR.SA.1	259	A259DG	straight, pointed, strong	130 mm 5.12"	white delrin	anti-acid/anti-mag stainless steel	no
259SVR.SA.1	259	A259SV	straight, pointed, strong	130 mm 5.12"	PVDF	anti-acid/anti-mag stainless steel	yes

272



Part Number	Tip Style	Tips #	Tip Description	OAL	Tip Material	Body Material	ESD
NEW 272CCFR.SA.1	272	A272CF	straight, fine, squared, flat	115 mm 4.53"	carbon fiber	anti-acid/anti-mag stainless steel	yes
272CFR.SA.1	272	A272CF	straight, fine, squared, flat	130 mm 5.12"	carbon fiber	anti-acid/anti-mag stainless steel	yes

277



Part Number	Tip Style	Tips #	Tip Description	OAL	Tip Material	Body Material	ESD
NEW 277CCFR.SA.1	277	A277CF	curved, fine	105 mm 4.13"	carbon fiber	anti-acid/anti-mag stainless steel	yes
277CFR.SA.1	277	A277CF	curved, fine	120 mm 4.72"	carbon fiber	anti-acid/anti-mag stainless steel	yes



PLASTIC REPLACEABLE TIP TWEEZERS

279



Part Number	Tip Style	Tips #	Tip Description	OAL	Tip Material	Body Material	ESD
NEW 279CCFR.SA.1	279	A279CF	straight, thick, squared	115 mm 4.53"	carbon fiber	anti-acid/anti-mag stainless steel	yes
279CFR.SA.1	279	A279CF	straight, thick, squared	130 mm 5.12"	carbon fiber	anti-acid/anti-mag stainless steel	yes

2A



Part Number	Tip Style	Tips #	Tip Description	OAL	Tip Material	Body Material	ESD
2ACFR.SA.1	2A	A2ACF	straight, very fine, round, flat	130 mm 5.12"	carbon fiber	anti-acid/anti-mag stainless steel	yes
2ACPR.SA.1	2A	A2ACP	straight, very fine, round, flat	130 mm 5.12"	carbon PEEK	anti-acid/anti-mag stainless steel	yes
2ADGR.SA.1	2A	A2ADG	straight, very fine, round, flat	130 mm 5.12"	white delrin	anti-acid/anti-mag stainless steel	no
2ASVR.SA.1	2A	A2ASV	straight, very fine, round, flat	130 mm 5.12"	PVDF	anti-acid/anti-mag stainless steel	yes

2A



Part Number	Tip Style	Tips #	Tip Description	OAL	Tip Material	Body Material	ESD
2AXCFR.SA.1	2A	A2ACF	straight, very fine, round, flat	130 mm 5.12"	carbon fiber	anti-acid/anti-mag stainless steel	yes
2AXCPR.SA.1	2A	A2ACP	straight, very fine, round, flat	130 mm 5.12"	carbon PEEK	anti-acid/anti-mag stainless steel	yes
2AXSVR.SA.1	2A	A2ASV	straight, very fine, round, flat	130 mm 5.12"	PVDF	anti-acid/anti-mag stainless steel	yes



PLASTIC REPLACEABLE TIP TWEEZERS

2AB



Part Number	Tip Style	Tips #	Tip Description	OAL	Tip Material	Body Material	ESD
2ABCFR.SA.1	2AB	A2ABCF	curved, very fine, round, flat	130 mm 5.12"	carbon fiber	anti-acid/anti-mag stainless steel	yes
2ABSVR.SA.1	2AB	A2ABSV	curved, very fine, round, flat	130 mm 5.12"	PVDF	anti-acid/anti-mag stainless steel	yes
2ABCPR.SA.1	2AB	A2ABCP	curved, very fine, round, flat	130 mm 5.12"	carbon PEEK	anti-acid/anti-mag stainless steel	yes

2WF



Part Number	Tip Style	Tips #	Tip Description	OAL	Tip Material	Body Material	ESD
2WFCPR@.SA.1	2WF	A2WFCP@	straight, wafer	130 mm 5.12"	carbon PEEK	anti-acid/anti-mag stainless steel	yes
2WFSVR.SA.1	2WF	A2WFSV	straight, wafer	130 mm 5.12"	PVDF	anti-acid/anti-mag stainless steel	yes

3



Part Number	Tip Style	Tips #	Tip Description	OAL	Tip Material	Body Material	ESD
NEW 3CCFR.SA.1	3	A3CF	straight, fine, pointed	115 mm 4.53"	carbon fiber	anti-acid/anti-mag stainless steel	yes
3CFR.SA.1	3	A3CF	straight, fine, pointed	130 mm 5.12"	carbon fiber	anti-acid/anti-mag stainless steel	yes
3CPR.SA.1	3	A3CP	straight, fine, pointed	130 mm 5.12"	carbon PEEK	anti-acid/anti-mag stainless steel	yes

PLASTIC REPLACEABLE TIP TWEEZERS

3



Part Number	Tip Style	Tips #	Tip Description	OAL	Tip Material	Body Material	ESD
3XCFR.SA.1	3	A3CF	straight, fine, pointed	130 mm 5.12"	carbon fiber	anti-acid/anti-mag stainless steel	yes
3XCPR.SA.1	3	A3CP	straight, fine, pointed	130 mm 5.12"	carbon PEEK	anti-acid/anti-mag stainless steel	yes

4WF



Part Number	Tip Style	Tips #	Tip Description	OAL	Tip Material	Body Material	ESD
4WFCPR@.SA.1	4WF	A4WFCP@	straight, wafer	130 mm 5.12"	carbon PEEK	anti-acid/anti-mag stainless steel	yes
4WFSVR.SA.1	4WF	A4WFSV	straight, wafer	130 mm 5.12"	PVDF	anti-acid/anti-mag stainless steel	yes

5



Part Number	Tip Style	Tips #	Tip Description	OAL	Tip Material	Body Material	ESD
NEW 5CCFR.SA.1	5	A5CF	straight, very fine, sharp	115 mm 4.53"	carbon fiber	anti-acid/anti-mag stainless steel	yes
5CFR.SA.1	5	A5CF	straight, very fine, sharp	130 mm 5.12"	carbon fiber	anti-acid/anti-mag stainless steel	yes
5CPR.SA.1	5	A5CP	straight, very fine, sharp	130 mm 5.12"	carbon PEEK	anti-acid/anti-mag stainless steel	yes
5DGR.SA.1	5	A5DG	straight, very fine, sharp	130 mm 5.12"	white delrin	anti-acid/anti-mag stainless steel	no
5SVR.SA.1	5	A5SV	straight, very fine, sharp	130 mm 5.12"	PVDF	anti-acid/anti-mag stainless steel	yes



PLASTIC REPLACEABLE TIP TWEEZERS

5UF



Part Number	Tip Style	Tips #	Tip Description	OAL	Tip Material	Body Material	ESD
NEW 5UFCCFR.SA.1	5UF	A5UFCF	straight, ultra fine, very sharp	115 mm 4.53"	carbon fiber	anti-acid/anti-mag stainless steel	yes
5UF CFR.SA.1	5UF	A5UFCF	straight, ultra fine, very sharp	130 mm 5.12"	carbon fiber	anti-acid/anti-mag stainless steel	yes
5UF CPR.SA.1	5UF	A5UFCP	straight, ultra fine, very sharp	130 mm 5.12"	carbon PEEK	anti-acid/anti-mag stainless steel	yes

5



Part Number	Tip Style	Tips #	Tip Description	OAL	Tip Material	Body Material	ESD
5XCFR.SA.1	5	A5CF	straight, very fine, sharp	125 mm 4.92"	carbon fiber	anti-acid/anti-mag stainless steel	yes
5XCPR.SA.1	5	A5CP	straight, very fine, sharp	125 mm 4.92"	carbon PEEK	anti-acid/anti-mag stainless steel	yes
5XSVR.SA.1	5	A5SV	straight, very fine, sharp	125 mm 4.92"	PVDF	anti-acid/anti-mag stainless steel	yes

7



Part Number	Tip Style	Tips #	Tip Description	OAL	Tip Material	Body Material	ESD
7CFR.SA.1	7	A7CF	curved, very fine	130 mm 5.12"	carbon fiber	anti-acid/anti-mag stainless steel	yes
7CPR.SA.1	7	A7CP	curved, very fine	130 mm 5.12"	carbon PEEK	anti-acid/anti-mag stainless steel	yes
7DGR.SA.1	7	A7DG	curved, very fine	130 mm 5.12"	white delrin	anti-acid/anti-mag stainless steel	no
7SVR.SA.1	7	A7SV	curved, very fine	130 mm 5.12"	PVDF	anti-acid/anti-mag stainless steel	yes



PLASTIC REPLACEABLE TIP TWEEZERS

8WL



Part Number	Tip Style	Tips #	Tip Description	OAL	Tip Material	Body Material	ESD
8WLCPRSG.SA.1	8WL	A8WLCP	straight, wafer	130 mm 5.12"	carbon PEEK	anti-acid/anti-mag stainless steel	yes

PLASTIC REPLACEABLE TIP TWEEZER KIT

KCFR



KCFR

Kit of 1 Plastic replaceable tip tweezers + 4 plastic tips:
249CFR.SA, A7CF, A5CF, A259CF, A2ACF



Part Number	Tip Style	Tips #	Tip Description	OAL	Tip Material	Body Material	ESD
249CFR.SA.1	249	A249CF	straight, thick, beveled, strong	130 mm 5.12"	carbon fiber	anti-acid/anti-mag stainless steel	yes
A7CF	7	-	curved, very fine	40 mm 1.57"	carbon fiber	-	yes
A5CF	5	-	straight, very fine, sharp	40 mm 1.57"	carbon fiber	-	yes
A259	259	-	straight, pointed, strong	40 mm 1.57"	carbon fiber	-	yes
A2ACF	2A	-	straight, very fine, round, flat	40 mm 1.57"	carbon fiber	-	yes



PLASTIC TIP TWEEZERS



The lightweight and non-conductive design of plastic tip tweezers make them ideal for delicate tasks. The plastic tips also provide a gentle touch, reducing the risk of scratching or damaging sensitive surfaces.

PLASTIC TIP TWEEZERS | ADDICTED TO PRECISION



00



Part Number	Tip Style	Tip Description	OAL	Tip Material	Body Material	ESD
00CF.SA.1	00	straight, thick	130 mm 5.12"	carbon fiber	anti-acid/anti-mag stainless steel	yes

248



Part Number	Tip Style	Tip Description	OAL	Tip Material	Body Material	ESD
248CF.SA.0	248	straight, wide, squared, flat	130 mm 5.12"	carbon fiber	anti-acid/anti-mag stainless steel	yes

249



Part Number	Tip Style	Tip Description	OAL	Tip Material	Body Material	ESD
249CF.SA.1	249	straight, thick, beveled, strong	130 mm 5.12"	carbon fiber	anti-acid/anti-mag stainless steel	yes

251



Part Number	Tip Style	Tip Description	OAL	Tip Material	Body Material	ESD
251.SA.1	251	straight, wide, short, flat	115 mm 4.53"	carbon fiber	anti-acid/anti-mag stainless steel	yes



PLASTIC TIP TWEEZERS

252



Part Number	Tip Style	Tip Description	OAL	Tip Material	Body Material	ESD
252.SA.1	252	straight, wide, short	115 mm 4.53"	carbon fiber	anti-acid/anti-mag stainless steel	yes

259



Part Number	Tip Style	Tip Description	OAL	Tip Material	Body Material	ESD
259CF.SA.1	259	straight, very fine, pointed	130 mm 5.12"	carbon fiber	anti-acid/anti-mag stainless steel	yes

269



Part Number	Tip Style	Tip Description	OAL	Tip Material	Body Material	ESD
269CF.SA.1	269	straight, thick, blunted, strong	130 mm 5.12"	carbon fiber	anti-acid/anti-mag stainless steel	yes

2A



Part Number	Tip Style	Tip Description	OAL	Tip Material	Body Material	ESD
2ACF.SA.1	2A	straight, very fine, round	130 mm 5.12"	carbon fiber	anti-acid/anti-mag stainless steel	yes



PLASTIC TIP TWEEZERS

5



Part Number	Tip Style	Tip Description	OAL	Tip Material	Body Material	ESD
5CF.SA.1	5	straight, very fine, sharp	130 mm 5.12"	carbon fiber	anti-acid/anti-mag stainless steel	yes





FULL PLASTIC TWEEZERS



Cost-effective alternative to metal tweezers for sensitive applications and handling scratch sensitive electronic parts, glass and ceramic substrates.

FULL PLASTIC TWEEZERS | ADDICTED TO PRECISION

702A



Part Number	Tip Style	Tip Description	OAL	Body Material	ESD
702A.CF	702A	straight, very fine, round, flat	115 mm 4.53"	carbon fiber	yes
702A.DG	702A	straight, very fine, round, flat	115 mm 4.53"	white delrin	no
702A.SV	702A	straight, very fine, round, flat	115 mm 4.53"	PVDF	yes

705



Part Number	Tip Style	Tip Description	OAL	Body Material	ESD
705.CF	705	straight, very fine, sharp	115 mm 4.53"	carbon fiber	yes
705.DG	705	straight, very fine, sharp	115 mm 4.53"	white delrin	no
705.SV	705	straight, very fine, sharp	115 mm 4.53"	PVDF	yes

707



Part Number	Tip Style	Tip Description	OAL	Body Material	ESD
707.CF	707	straight, fine, short	115 mm 4.53"	carbon fiber	yes
707.DG	707	straight, fine, short	115 mm 4.53"	white delrin	no
707.SV	707	straight, fine, short	115 mm 4.53"	PVDF	yes



FULL PLASTIC TWEEZERS

707A



Part Number	Tip Style	Tip Description	OAL	Body Material	ESD
707A.CF	707A	curved, fine, short	115 mm 4.53"	carbon fiber	yes
707A.DG	707A	curved, fine, short	115 mm 4.53"	white delrin	no
707A.SV	707A	curved, fine, short	115 mm 4.53"	PVDF	yes

708



Part Number	Tip Style	Tip Description	OAL	Body Material	ESD
708.CF	708	bent , very fine, short	110 mm 4.33"	carbon fiber	yes
708.DG	708	bent , very fine, short	110 mm 4.33"	white delrin	no
708.SV	708	bent , very fine, short	110 mm 4.33"	PVDF	yes

709



Part Number	Tip Style	Tip Description	OAL	Body Material	ESD
709.CF	709	straight, very fine, short, flat	115 mm 4.53"	carbon fiber	yes
709.DG	709	straight, very fine, short, flat	115 mm 4.53"	white delrin	no
709.SV	709	straight, very fine, short, flat	115 mm 4.53"	PVDF	yes



FULL PLASTIC TWEEZERS

710



Part Number	Tip Style	Tip Description	OAL	Body Material	ESD
710.CF	710	straight, very fine, short, flat	115 mm 4.53"	carbon fiber	yes
710.DG	710	straight, very fine, short, flat	115 mm 4.53"	white delrin	no
710.SV	710	straight, very fine, short, flat	115 mm 4.53"	PVDF	yes

FULL PLASTIC TWEEZER KIT

K4PICF



K4PICF

Kit of 4 Carbon Fiber tweezers : 707, 708, 709, 710



Part Number	Tip Style	Tip Description	OAL	Body Material	ESD
707.CF	707	straight, fine, short	115 mm 4.53"	carbon fiber	yes
708.CF	708	bent , very fine, short	110 mm 4.33"	carbon fiber	yes
709.CF	709	straight, very fine, short, flat	115 mm 4.53"	carbon fiber	yes
710.CF	710	straight, very fine, short, flat	115 mm 4.53"	carbon fiber	yes



FULL PLASTIC TWEEZERS

FULL PLASTIC TWEEZER KIT

K5PI



Kit of 5 Carbon Fiber tweezers : 702A, 707, 708, 709, 710



K5PICF

Part Number	Tip Style	Tip Description	OAL		Body Material	ESD
702A.CF	702A	straight, very fine, round, flat	115 mm	4.53"	carbon fiber	yes
707.CF	707	straight, fine, short	115 mm	4.53"	carbon fiber	yes
708.CF	708	bent , very fine, short	110 mm	4.33"	carbon fiber	yes
709.CF	709	straight, very fine, short, flat	115 mm	4.53"	carbon fiber	yes
710.CF	710	straight, very fine, short, flat	115 mm	4.53"	carbon fiber	yes

K5PISV

Part Number	Tip Style	Tip Description	OAL		Body Material	ESD
702A.SV	702A	straight, very fine, round, flat	115 mm	4.53"	PVDF	yes
707.SV	707	straight, fine, short	115 mm	4.53"	PVDF	yes
708.SV	708	bent , very fine, short	110 mm	4.33"	PVDF	yes
709.SV	709	straight, very fine, short, flat	115 mm	4.53"	PVDF	yes
710.SV	710	straight, very fine, short, flat	115 mm	4.53"	PVDF	yes



FULL PLASTIC TWEEZERS

FULL PLASTIC TWEEZER KIT

K6PI



Kit of 6 Carbon Fiber tweezers : 702A, 705, 707, 708, 709, 710



K6PICF

Part Number	Tip Style	Tip Description	OAL		Body Material	ESD
702A.CF	702A	straight, very fine, round, flat	115 mm	4.53"	carbon fiber	yes
705.CF	705	straight, very fine, sharp	115 mm	4.53"	carbon fiber	yes
707.CF	707	straight, fine, short	115 mm	4.53"	carbon fiber	yes
708.CF	708	bent , very fine, short	110 mm	4.33"	carbon fiber	yes
709.CF	709	straight, very fine, short, flat	115 mm	4.53"	carbon fiber	yes
710.CF	710	straight, very fine, short, flat	115 mm	4.53"	carbon fiber	yes

K6PISV

Part Number	Tip Style	Tip Description	OAL		Body Material	ESD
702A.CF	702A	straight, very fine, round, flat	115 mm	4.53"	carbon fiber	yes
705.CF	705	straight, very fine, sharp	115 mm	4.53"	carbon fiber	yes
707.CF	707	straight, fine, short	115 mm	4.53"	carbon fiber	yes
708.CF	708	bent , very fine, short	110 mm	4.33"	carbon fiber	yes
709.CF	709	straight, very fine, short, flat	115 mm	4.53"	carbon fiber	yes
710.CF	710	straight, very fine, short, flat	115 mm	4.53"	carbon fiber	yes



CERAMIC REPLACEABLE TIP TWEEZERS



Replaceable tips in Zirconia (MZ) and ESD safe-static ceramic (ZJ) are ideal to wield fragile and scratch-sensitive components. Ceramic tips are contamination free as well as high temperature, wear and solder resistant.

CERAMIC REPLACEABLE TIP



TWEEZERS | ADDICTED TO PRECISION

2A



Part Number	Tip Style	Tips #	Tip Description	OAL	Tip Material	Body Material	ESD
2AMZ.SA.0	2A	A2AMZ	straight, fine, round, flat	140 mm 5.51"	white ceramic	anti-acid/anti-mag stainless steel	no

7



Part Number	Tip Style	Tips #	Tip Description	OAL	Tip Material	Body Material	ESD
7MZ.SA.0	7	A7MZ	curved, fine	135 mm 5.31"	white ceramic	anti-acid/anti-mag stainless steel	no

71



Part Number	Tip Style	Tips #	Tip Description	OAL	Tip Material	Body Material	ESD
71MZ.SA.0	71	A71MZ	straight, fine, beveled	135 mm 5.31"	white ceramic	anti-acid/anti-mag stainless steel	no

72



Part Number	Tip Style	Tips #	Tip Description	OAL	Tip Material	Body Material	ESD
72MZ.SA.0	72	A72MZ	straight, fine, pointed, strong	135 mm 5.31"	white ceramic	anti-acid/anti-mag stainless steel	no



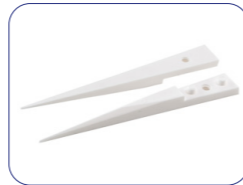
CERAMIC REPLACEABLE TIP TWEEZERS

72



Part Number	Tip Style	Tips #	Tip Description	OAL	Tip Material	Body Material	ESD
72MZ.SA.0	72	A72MZ	straight, fine, pointed, strong	135 mm 5.31"	white ceramic	anti-acid/anti-mag stainless steel	no

73



Part Number	Tip Style	Tips #	Tip Description	OAL	Tip Material	Body Material	ESD
73MZ.SA.0	73	A73MZ	straight, fine, pointed	140 mm 5.51"	white ceramic	anti-acid/anti-mag stainless steel	no

74



Part Number	Tip Style	Tips #	Tip Description	OAL	Tip Material	Body Material	ESD
74MZ.SA.0	74	A74MZ	straight, fine, pointed, strong	140 mm 5.51"	white ceramic	anti-acid/anti-mag stainless steel	no

2A



Part Number	Tip Style	Tips #	Tip Description	OAL	Tip Material	Body Material	ESD
2AZJK.SA.0	2A	A2AZJK	straight, fine, round, flat	130 mm 5.12"	black ceramic	anti-acid/anti-mag stainless steel	yes



CERAMIC REPLACEABLE TIP TWEEZERS

7



Part Number	Tip Style	Tips #	Tip Description	OAL	Tip Material	Body Material	ESD
7ZJ.SA.0	7	A7ZJ	curved, fine	135 mm 5.31"	black ceramic	anti-acid/anti-mag stainless steel	yes

71



Part Number	Tip Style	Tips #	Tip Description	OAL	Tip Material	Body Material	ESD
71ZJ.SA.0	71	A71ZJ	straight, fine, beveled	135 mm 5.31"	black ceramic	anti-acid/anti-mag stainless steel	yes

72



Part Number	Tip Style	Tips #	Tip Description	OAL	Tip Material	Body Material	ESD
72ZJ.SA.0	72	A72ZJ	straight, fine, pointed, strong	135 mm 5.31"	black ceramic	anti-acid/anti-mag stainless steel	yes

73



Part Number	Tip Style	Tips #	Tip Description	OAL	Tip Material	Body Material	ESD
73ZJ.SA.0	73	A73ZJ	straight, fine, pointed	140 mm 5.51"	black ceramic	anti-acid/anti-mag stainless steel	yes



FULL CERAMIC TWEEZERS



High strength and flexibility, extreme resistance to wear, abrasion, high temperature and corrosion. The very hard surface, electrically insulating and resistant allow a careful handling of sensitive components without risk of contamination.

FULL CERAMIC TWEEZERS | ADDICTED TO PRECISION



00



Part Number	Tip Style	Tip Description	OAL	Body Material
8501	00	straight, squared, line serrated	125 mm 4.92"	zirconia ceramic
8501F	00	straight, squared	125 mm 4.92"	zirconia ceramic

3



Part Number	Tip Style	Tip Description	OAL	Body Material
8501FGG	3	straight, fine, squared	125 mm 4.92"	zirconia ceramic

7



Part Number	Tip Style	Tip Description	OAL	Body Material
8507	7	curved, squared	125 mm 4.92"	zirconia ceramic



MINI TWEEZERS



Extra light ergonomic tweezers with short and slim tips ideal for working into tight spaces, under a microscope and for short range precision work.

MINI

TWEEZERS | ADDICTED TO PRECISION

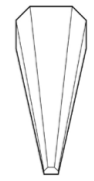


M00D



Part Number	Tip Style	Tip Description	Handle Serration	OAL	Body Material	Body Finishing
M00D.SA.1	M00D	straight, fine, sharp, line serrated	line serrated	90 mm 3.54"	anti-acid/anti-mag stainless steel	sandblasted

M2



Part Number	Tip Style	Tip Description	Handle Serration	OAL	Body Material	Body Finishing
M2.SA.1	M2	straight, fine, sharp	-	90 mm 3.54"	anti-acid/anti-mag stainless steel	sandblasted

M2A



Part Number	Tip Style	Tip Description	Handle Serration	OAL	Body Material	Body Finishing
M2A.SA.1	M2A	straight, fine, round, flat	-	70 mm 2.76"	anti-acid/anti-mag stainless steel	sandblasted

M3



Part Number	Tip Style	Tip Description	Handle Serration	OAL	Body Material	Body Finishing
M3.SA.1	M3	straight, fine, pointed	-	70 mm 2.76"	anti-acid/anti-mag stainless steel	sandblasted



MINI TWEEZERS

M3E



Part Number	Tip Style	Tip Description	Handle Serration	OAL		Body Material	Body Finishing
M3E.CX.0	M3E	straight, very fine, pointed	-	70 mm	2.76"	superalloy anti-acid/ anti-mag	polished

M3E



Part Number	Tip Style	Tip Description	Handle Serration	OAL		Body Material	Body Finishing
M3E.S.0	M3E	straight, very fine, pointed	-	70 mm	2.76"	stainless steel	sandblasted

M4



Part Number	Tip Style	Tip Description	Handle Serration	OAL		Body Material	Body Finishing
M4.SA.1	M4	straight, very fine, sharp	-	80 mm	3.15"	anti-acid/anti-mag stainless steel	sandblasted

M5



Part Number	Tip Style	Tip Description	Handle Serration	OAL		Body Material	Body Finishing
M5.SA.1	M5	straight, very fine, sharp	-	80 mm	3.15"	anti-acid/anti-mag stainless steel	sandblasted



MINI TWEEZERS

M5E



Part Number	Tip Style	Tip Description	Handle Serration	OAL		Body Material	Body Finishing
M5E.CX.0	M5E	straight, very fine, pointed	-	80 mm	3.15"	superalloy anti-acid/ anti-mag	polished

M5E



Part Number	Tip Style	Tip Description	Handle Serration	OAL		Body Material	Body Finishing
M5E.S.0	M5E	straight, very fine, sharp	-	80 mm	3.15"	stainless steel	sandblasted



ESD DIAMOND COATED TWEEZERS



Non-toxic and biologically compatible, the diamond coating prevents contamination with metal particles, offering resistance to corrosion, humidity, extreme temperatures and wear.

ESD DIAMOND COATED

TWEEZERS | ADDICTED TO PRECISION



0



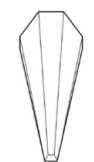
Part Number	Tip Style	Tip Description	Handle Serration	OAL	Body Material	Tip Coating	ESD
0.SA.DC.0	0	straight, fine, sharp	-	120 mm 4.72"	anti-acid/anti-mag stainless steel	diamond	yes

00



Part Number	Tip Style	Tip Description	Handle Serration	OAL	Body Material	Tip Coating	ESD
00.SA.DC.0	00	straight, thick, squared, strong	-	120 mm 4.72"	anti-acid/anti-mag stainless steel	diamond	yes

1



Part Number	Tip Style	Tip Description	Handle Serration	OAL	Body Material	Tip Coating	ESD
1.SA.DC.0	1	straight, fine, pointed	-	120 mm 4.72"	anti-acid/anti-mag stainless steel	diamond	yes

2



Part Number	Tip Style	Tip Description	Handle Serration	OAL	Body Material	Tip Coating	ESD
2.SA.DC.0	2	straight, very fine, pointed	-	120 mm 4.72"	anti-acid/anti-mag stainless steel	diamond	yes



ESD DIAMOND COATED TWEEZERS



Part Number	Tip Style	Tip Description	Handle Serration	OAL	Body Material	Tip Coating	ESD
2A.SA.DC.0	2A	straight, fine, round, flat	-	120 mm 4.72"	anti-acid/anti-mag stainless steel	diamond	yes



Part Number	Tip Style	Tip Description	Handle Serration	OAL	Body Material	Tip Coating	ESD
2AB.SA.DC.0	2A	curved, fine, round, flat	-	120 mm 4.72"	anti-acid/anti-mag stainless steel	diamond	yes



Part Number	Tip Style	Tip Description	Handle Serration	OAL	Body Material	Tip Coating	ESD
3.SA.DC.0	3	straight, fine, pointed	-	120 mm 4.72"	anti-acid/anti-mag stainless steel	diamond	yes



Part Number	Tip Style	Tip Description	Handle Serration	OAL	Body Material	Tip Coating	ESD
35A.SA.DC.1	35A	straight, thin, squared, flat	line serrated	120 mm 4.72"	anti-acid/anti-mag stainless steel	diamond	yes



ESD DIAMOND COATED TWEEZERS



Part Number	Tip Style	Tip Description	Handle Serration	OAL	Body Material	Tip Coating	ESD
3C.SA.DC.0	3	straight, fine, pointed	-	110 mm 4.33"	anti-acid/anti-mag stainless steel	diamond	yes



Part Number	Tip Style	Tip Description	Handle Serration	OAL	Body Material	Tip Coating	ESD
4.SA.DC.0	4	straight, very fine, sharp	-	110 mm 4.33"	anti-acid/anti-mag stainless steel	diamond	yes



Part Number	Tip Style	Tip Description	Handle Serration	OAL	Body Material	Tip Coating	ESD
5.SA.DC.0	5	straight, very fine, sharp	-	110 mm 4.33"	anti-acid/anti-mag stainless steel	diamond	yes



Part Number	Tip Style	Tip Description	Handle Serration	OAL	Body Material	Tip Coating	ESD
51S.SA.DC.0	51S	bent , very fine	-	115 mm 4.53"	anti-acid/anti-mag stainless steel	diamond	yes



ESD DIAMOND COATED TWEEZERS

5



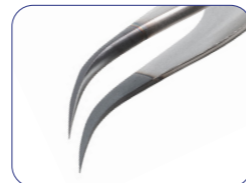
Part Number	Tip Style	Tip Description	Handle Serration	OAL	Body Material	Tip Coating	ESD
5B.SA.DC.0	5	bent, very fine, sharp	-	110 mm 4.33"	anti-acid/anti-mag stainless steel	diamond	yes

65A



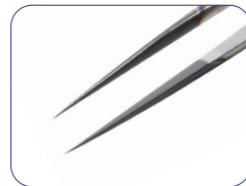
Part Number	Tip Style	Tip Description	Handle Serration	OAL	Body Material	Tip Coating	ESD
65A.SA.DC.0	65A	bent, very fine, very sharp	-	140 mm 5.51"	anti-acid/anti-mag stainless steel	diamond	yes

7



Part Number	Tip Style	Tip Description	Handle Serration	OAL	Body Material	Tip Coating	ESD
7.SA.DC.0	7	curved, very fine, sharp	-	120 mm 4.72"	anti-acid/anti-mag stainless steel	diamond	yes

SS



Part Number	Tip Style	Tip Description	Handle Serration	OAL	Body Material	Tip Coating	ESD
SS.SA.DC.0	SS	straight, very fine, very sharp	-	140 mm 5.51"	anti-acid/anti-mag stainless steel	diamond	yes



ESD DIAMOND COATED TWEEZERS

SS



Part Number	Tip Style	Tip Description	Handle Serration	OAL	Body Material	Tip Coating	ESD
SS6.SA.DC.0	SS	straight, fine, very sharp	-	155 mm 6.10"	anti-acid/anti-mag stainless steel	diamond	yes

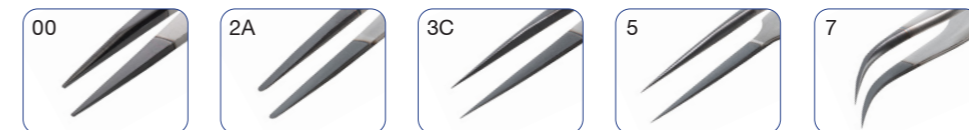
ESD DIAMOND COATED TWEEZER KIT

K5HP.SA.DC



K5HP.SA.DC

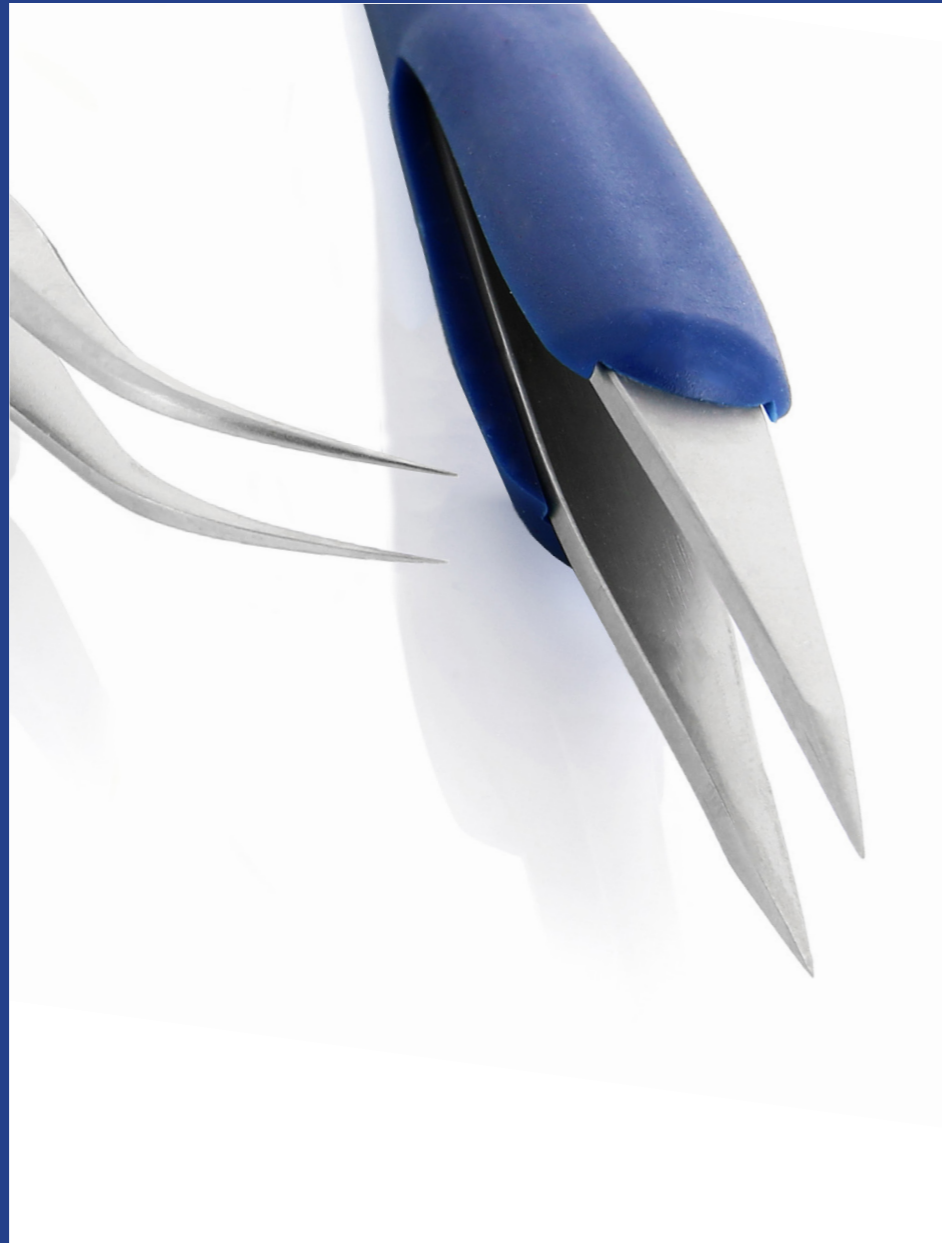
Kit of 5 ESD Diamond coated Tweezers: 00, 2A, 3C, 5, 7



Part Number	Tip Style	Tip Description	Handle Serration	OAL	Body Material	Tip Coating	ESD
00.SA.DC.0	00	straight, thick, squared, strong	-	120 mm 4.72"	anti-acid/anti-mag stainless steel	diamond	yes
2A.SA.DC.0	2A	straight, fine, round, flat	-	120 mm 4.72"	anti-acid/anti-mag stainless steel	diamond	yes
3C.SA.DC.0	3	straight, fine, pointed	-	110 mm 4.33"	anti-acid/anti-mag stainless steel	diamond	yes
5.SA.DC.0	5	straight, very fine, sharp	-	110 mm 4.33"	anti-acid/anti-mag stainless steel	diamond	yes
7.SA.DC.0	7	curved, very fine, sharp	-	120 mm 4.72"	anti-acid/anti-mag stainless steel	diamond	yes



ESD RUBBER GRIP TWEEZERS



Soft ESD safe ergonomic cushion grips (resistivity 10⁹ Ohm) provide enhanced operator comfort and reduced finger stress when handling ESD sensitive components or small static items.

ESD RUBBER GRIP

TWEEZERS | ADDICTED TO PRECISION



00



Part Number	Tip Style	Tip Description	OAL	Handle Grip	Body Material	ESD
00.SA.DR.0	00	straight, thick, squared, strong	125 mm 4.92"	blue rubber	anti-acid/anti-mag stainless steel	yes

2A



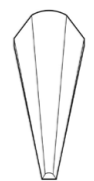
Part Number	Tip Style	Tip Description	OAL	Handle Grip	Body Material	ESD
2A.SA.DR.0	2A	straight, fine, round, flat	125 mm 4.92"	blue rubber	anti-acid/anti-mag stainless steel	yes

2A



Part Number	Tip Style	Tip Description	OAL	Handle Grip	Body Material	ESD
2AB.SA.DR.0	2A	curved, fine, round, flat	125 mm 4.92"	blue rubber	anti-acid/anti-mag stainless steel	yes

3



Part Number	Tip Style	Tip Description	OAL	Handle Grip	Body Material	ESD
3.SA.DR.0	3	straight, fine, pointed	125 mm 4.92"	blue rubber	anti-acid/anti-mag stainless steel	yes



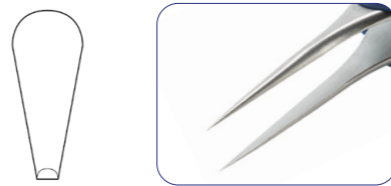
ESD RUBBER GRIP TWEEZERS

3



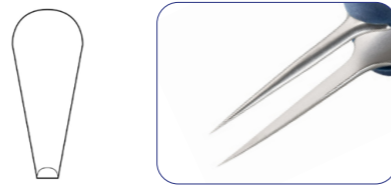
Part Number	Tip Style	Tip Description	OAL	Handle Grip	Body Material	ESD
3C.SA.DR.0	3	straight, fine, pointed	115 mm 4.53"	blue rubber	anti-acid/anti-mag stainless steel	yes

4



Part Number	Tip Style	Tip Description	OAL	Handle Grip	Body Material	ESD
4.SA.DR.0	4	straight, very fine, sharp	115 mm 4.53"	blue rubber	anti-acid/anti-mag stainless steel	yes

5



Part Number	Tip Style	Tip Description	OAL	Handle Grip	Body Material	ESD
5.SA.DR.0	5	straight, very fine, sharp	110 mm 4.33"	blue rubber	anti-acid/anti-mag stainless steel	yes

51S



Part Number	Tip Style	Tip Description	OAL	Handle Grip	Body Material	ESD
51S.SA.DR.0	51S	bent , very fine	115 mm 4.53"	blue rubber	anti-acid/anti-mag stainless steel	yes



ESD RUBBER GRIP TWEEZERS

5A



Part Number	Tip Style	Tip Description	OAL	Handle Grip	Body Material	ESD
5A.SA.DR.0	5A	straight, very fine, sharp	115 mm 4.53"	blue rubber	anti-acid/anti-mag stainless steel	yes

5



Part Number	Tip Style	Tip Description	OAL	Handle Grip	Body Material	ESD
5C.SA.DR.0	5	bent, very fine, sharp	115 mm 4.53"	blue rubber	anti-acid/anti-mag stainless steel	yes

7



Part Number	Tip Style	Tip Description	OAL	Handle Grip	Body Material	ESD
7.SA.DR.0	7	curved, very fine, sharp	120 mm 4.72"	blue rubber	anti-acid/anti-mag stainless steel	yes

AA



Part Number	Tip Style	Tip Description	OAL	Handle Grip	Body Material	ESD
AA.SA.DR.6	AA	straight, fine, pointed	130 mm 5.12"	blue rubber	anti-acid/anti-mag stainless steel	yes



ESD FOAM GRIP TWEEZERS

ESD FOAM GRIP TWEEZERS | ADDICTED TO PRECISION



ESD-safe foam tweezers provide enhanced operator comfort and reduce finger stress. The electrically static and dissipative properties (resistivity 10^9 - 10^{10} Ohm) make them ideal for critical work with ESD-sensitive components or small static items.

00



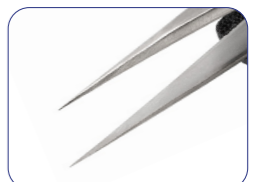
Part Number	Tip Style	Tip Description	OAL	Handle Grip	Body Material	ESD
00.SA.DN.6	00	straight, thick, squared, strong	125 mm 4.92"	black foam	anti-acid/anti-mag stainless steel	yes

2A



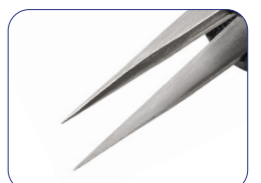
Part Number	Tip Style	Tip Description	OAL	Handle Grip	Body Material	ESD
2A.SA.DN.6	2A	straight, fine, round, flat	125 mm 4.92"	black foam	anti-acid/anti-mag stainless steel	yes

3



Part Number	Tip Style	Tip Description	OAL	Handle Grip	Body Material	ESD
3.SA.DN.6	3	straight, fine, pointed	130 mm 5.12"	black foam	anti-acid/anti-mag stainless steel	yes

3

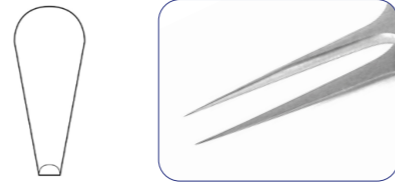


Part Number	Tip Style	Tip Description	OAL	Handle Grip	Body Material	ESD
3C.SA.DN.6	3	straight, fine, pointed	115 mm 4.53"	black foam	anti-acid/anti-mag stainless steel	yes



ESD FOAM GRIP TWEEZERS

5



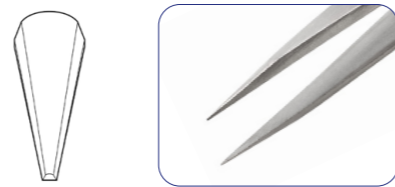
Part Number	Tip Style	Tip Description	OAL	Handle Grip	Body Material	ESD
5.SA.DN.6	5	straight, fine, sharp	115 mm 4.53"	black foam	anti-acid/anti-mag stainless steel	yes

7



Part Number	Tip Style	Tip Description	OAL	Handle Grip	Body Material	ESD
7.SA.DN.6	7	curved, fine	125 mm 4.92"	black foam	anti-acid/anti-mag stainless steel	yes

AA



Part Number	Tip Style	Tip Description	OAL	Handle Grip	Body Material	ESD
AA.SA.DN.6	AA	straight, fine, pointed	135 mm 5.31"	black foam	anti-acid/anti-mag stainless steel	yes

ESD EPOXY COATED TWEEZERS



ESD-safe epoxy coated (resistivity 10⁵-10⁶ Ohm) Tweezers, easy to clean and maintain, offered in a variety of styles to cover a wide range of requirements and applications.



ESD EPOXY COATED TWEEZERS | ADDICTED TO PRECISION

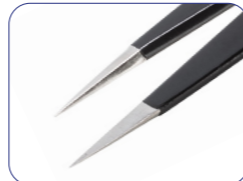


00



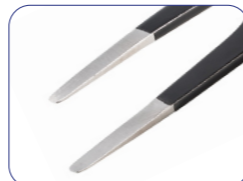
Part Number	Tip Style	Tip Description	OAL	Body Material	Handle Coating	ESD
00.SA.NE.6	00	straight, thick, squared, strong	120 mm 4.72"	anti-acid/anti-mag stainless steel	black epoxy	yes

1



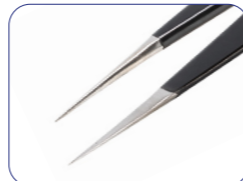
Part Number	Tip Style	Tip Description	OAL	Body Material	Handle Coating	ESD
1.SA.NE.6	1	straight, fine, pointed, polished	120 mm 4.72"	anti-acid/anti-mag stainless steel	black epoxy	yes

2A



Part Number	Tip Style	Tip Description	OAL	Body Material	Handle Coating	ESD
2A.SA.NE.6	2A	straight, fine, round, flat	125 mm 4.92"	anti-acid/anti-mag stainless steel	black epoxy	yes

3



Part Number	Tip Style	Tip Description	OAL	Body Material	Handle Coating	ESD
3.SA.NE.6	3	straight, fine, pointed	125 mm 4.92"	anti-acid/anti-mag stainless steel	black epoxy	yes



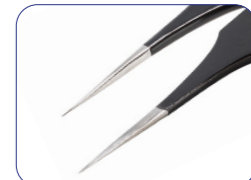
ESD EPOXY COATED TWEEZERS

3



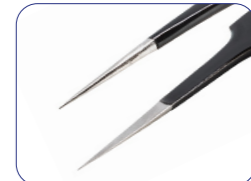
Part Number	Tip Style	Tip Description	OAL	Body Material	Handle Coating	ESD
3C.SA.NE.6	3	straight, fine, pointed	110 mm 4.33"	anti-acid/anti-mag stainless steel	black epoxy	yes

4



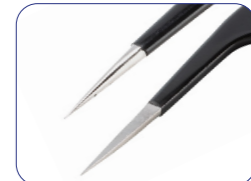
Part Number	Tip Style	Tip Description	OAL	Body Material	Handle Coating	ESD
4.SA.NE.6	4	straight, fine, sharp	110 mm 4.33"	anti-acid/anti-mag stainless steel	black epoxy	yes

5



Part Number	Tip Style	Tip Description	OAL	Body Material	Handle Coating	ESD
5.SA.NE.6	5	straight, fine, sharp	110 mm 4.33"	anti-acid/anti-mag stainless steel	black epoxy	yes

5A



Part Number	Tip Style	Tip Description	OAL	Body Material	Handle Coating	ESD
5A.SA.NE.6	5A	straight, fine, sharp	115 mm 4.53"	anti-acid/anti-mag stainless steel	black epoxy	yes



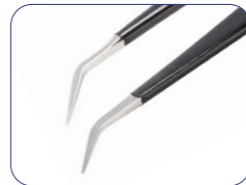
ESD EPOXY COATED TWEEZERS

7



Part Number	Tip Style	Tip Description	OAL	Body Material	Handle Coating	ESD
7.SA.NE.6	7	curved, fine	120 mm 4.72"	anti-acid/anti-mag stainless steel	black epoxy	yes

775



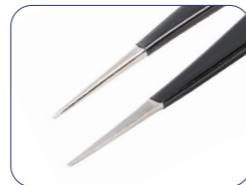
Part Number	Tip Style	Tip Description	OAL	Body Material	Handle Coating	ESD
775.SA.NE.0	775	bent, fine, squared	155 mm 6.10"	anti-acid/anti-mag stainless steel	black epoxy	yes

7



Part Number	Tip Style	Tip Description	OAL	Body Material	Handle Coating	ESD
7A.SA.NE.6	7	curved, fine	120 mm 4.72"	anti-acid/anti-mag stainless steel	black epoxy	yes

AA



Part Number	Tip Style	Tip Description	OAL	Body Material	Handle Coating	ESD
AA.SA.NE.B	AA	straight, fine, pointed	130 mm 5.12"	anti-acid/anti-mag stainless steel	black epoxy	yes



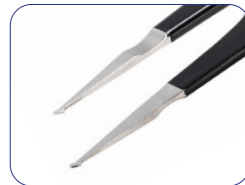
ESD EPOXY COATED TWEEZERS

SM103



Part Number	Tip Style	Tip Description	OAL	Body Material	Handle Coating	ESD
SM103.SA.NE.1	SM103	bent	115 mm 4.53"	anti-acid/anti-mag stainless steel	black epoxy	yes

SM108



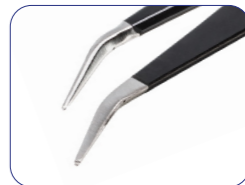
Part Number	Tip Style	Tip Description	OAL	Body Material	Handle Coating	ESD
SM108.SA.NE.1	SM108	straight	120 mm 4.72"	anti-acid/anti-mag stainless steel	black epoxy	yes

SM109



Part Number	Tip Style	Tip Description	OAL	Body Material	Handle Coating	ESD
SM109.SA.NE.1	SM109	straight	120 mm 4.72"	anti-acid/anti-mag stainless steel	black epoxy	yes

SM115



Part Number	Tip Style	Tip Description	OAL	Body Material	Handle Coating	ESD
SM115.SA.NE.1	SM115	bent, grooved	115 mm 4.53"	anti-acid/anti-mag stainless steel	black epoxy	yes



ESD EPOXY COATED TWEEZER KIT

K3.SA.NE



K3.SA.NE

Kit of 3 ESD Epoxy Coated tweezers: 775, SM103, SM104



Part Number	Tip Style	Tip Description	OAL	Body Material	Handle Coating	ESD
775.SA.NE.0	775	bent, fine, squared	155 mm 6.10"	anti-acid/anti-mag stainless steel	black epoxy	yes
SM103.SA.NE.1	SM103	bent	115 mm 4.53"	anti-acid/anti-mag stainless steel	black epoxy	yes
SM104.SA.NE.1	SM104	bent	120 mm 4.72"	anti-acid/anti-mag stainless steel	black epoxy	yes

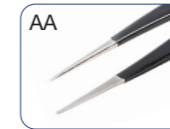
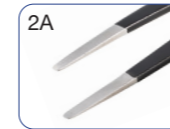
ESD EPOXY COATED TWEEZER KIT

K4-ECO.SA.NE



K4-ECO.SA.NE

Kit of 4 ESD Epoxy Coated tweezers: 2A, 3C, 7A, AA



Part Number	Tip Style	Tip Description	OAL	Body Material	Handle Coating	ESD
2A.SA.NE.6	2A	straight, fine, round, flat	125 mm 4.92"	anti-acid/anti-mag stainless steel	black epoxy	yes
3C.SA.NE.6	3	straight, fine, pointed	110 mm 4.33"	anti-acid/anti-mag stainless steel	black epoxy	yes
7A.SA.NE.6	7	curved, fine	120 mm 4.72"	anti-acid/anti-mag stainless steel	black epoxy	yes
AA.SA.NE.B	AA	straight, fine, pointed	130 mm 5.12"	anti-acid/anti-mag stainless steel	black epoxy	yes



ESD EPOXY COATED TWEEZERS

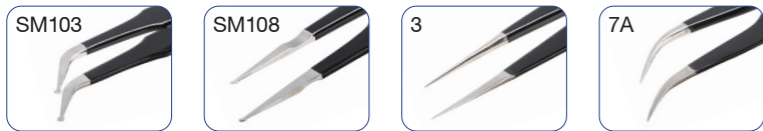
ESD EPOXY COATED TWEEZER KIT

K4F.SA.NE



K4F.SA.NE

Kit of 4 ESD Epoxy Coated tweezers: SM103, SM108, 3, 7A



Part Number	Tip Style	Tip Description	OAL	Body Material	Handle Coating	ESD
SM103.SA.NE.1	SM103	bent	115 mm 4.53"	anti-acid/anti-mag stainless steel	black epoxy	yes
SM108.SA.NE.1	SM108	straight	120 mm 4.72"	anti-acid/anti-mag stainless steel	black epoxy	yes
3.SA.NE.6	3	straight, fine, pointed	125 mm 4.92"	anti-acid/anti-mag stainless steel	black epoxy	yes
7A.SA.NE.6	7	curved, fine	120 mm 4.72"	anti-acid/anti-mag stainless steel	black epoxy	yes



ESD EPOXY COATED TWEEZERS

ESD EPOXY COATED TWEEZER KIT

K5F.SA.NE



K5F.SA.NE

Kit of 5 ESD Epoxy Coated tweezers: SM103, SM108, 3, 5, 7A



Part Number	Tip Style	Tip Description	OAL	Body Material	Handle Coating	ESD
SM103.SA.NE.1	SM103	bent	115 mm 4.53"	anti-acid/anti-mag stainless steel	black epoxy	yes
SM108.SA.NE.1	SM108	straight	120 mm 4.72"	anti-acid/anti-mag stainless steel	black epoxy	yes
3.SA.NE.6	3	straight, fine, pointed	125 mm 4.92"	anti-acid/anti-mag stainless steel	black epoxy	yes
5.SA.NE.6	5	straight, fine, sharp	110 mm 4.33"	anti-acid/anti-mag stainless steel	black epoxy	yes
7A.SA.NE.6	7	curved, fine	120 mm 4.72"	anti-acid/anti-mag stainless steel	black epoxy	yes



ESD EPOXY COATED TWEEZERS

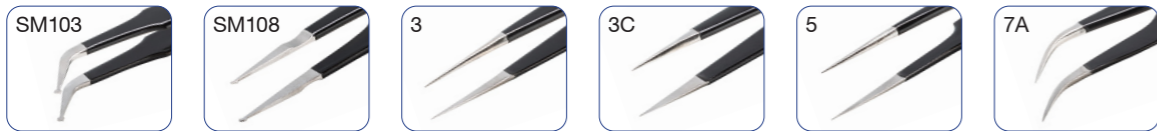
ESD EPOXY COATED TWEEZER KIT

K6F.SA.NE



K6F.SA.NE

Kit of 6 ESD Epoxy Coated tweezers: SM103, SM108, 3, 3C, 5, 7A



Part Number	Tip Style	Tip Description	OAL	Body Material	Handle Coating	ESD
SM103.SA.NE.1	SM103	bent	115 mm 4.53"	anti-acid/anti-mag stainless steel	black epoxy	yes
SM108.SA.NE.1	SM108	straight	120 mm 4.72"	anti-acid/anti-mag stainless steel	black epoxy	yes
3.SA.NE.6	3	straight, fine, pointed	125 mm 4.92"	anti-acid/anti-mag stainless steel	black epoxy	yes
3C.SA.NE.6	3	straight, fine, pointed	110 mm 4.33"	anti-acid/anti-mag stainless steel	black epoxy	yes
5.SA.NE.6	5	straight, fine, sharp	110 mm 4.33"	anti-acid/anti-mag stainless steel	black epoxy	yes
7A.SA.NE.6	7	curved, fine	120 mm 4.72"	anti-acid/anti-mag stainless steel	black epoxy	yes

PTFE COATED TWEEZERS



Thanks to its thermal properties, PTFE is the ideal material for cryo-critical work: the PTFE coating reduces heat during the process and lessens the corrosive action of acids and bases on tweezers tips.



PTFE COATED TWEEZERS | ADDICTED TO PRECISION



Part Number	Tip Style	Tip Description	Handle Serration	OAL	Body Material	Body Coating
2A.SA.T.0	2A	straight, very fine, round, flat	-	120 mm 4.72"	anti-acid/anti-mag stainless steel	PTFE



Part Number	Tip Style	Tip Description	Handle Serration	OAL	Body Material	Body Coating
2AB.SA.T.0	2A	curved, fine, round, flat	-	120 mm 4.72"	anti-acid/anti-mag stainless steel	PTFE



Part Number	Tip Style	Tip Description	Handle Serration	OAL	Body Material	Body Coating
3.SA.T.0	3	straight, fine, pointed	-	120 mm 4.72"	anti-acid/anti-mag stainless steel	PTFE



Part Number	Tip Style	Tip Description	Handle Serration	OAL	Body Material	Body Coating
321.SA.T.1	321	straight, fine, round, flat	line serrated	120 mm 4.72"	anti-acid/anti-mag stainless steel	PTFE



PTFE COATED TWEEZERS



Part Number	Tip Style	Tip Description	Handle Serration	OAL	Body Material	Body Coating
35A.SA.T.1	35A	straight, thin, squared, flat	line serrated	120 mm 4.72"	anti-acid/anti-mag stainless steel	PTFE



Part Number	Tip Style	Tip Description	Handle Serration	OAL	Body Material	Body Coating
3C.SA.T.0	3	straight, fine, pointed	-	110 mm 4.33"	anti-acid/anti-mag stainless steel	PTFE



Part Number	Tip Style	Tip Description	Handle Serration	OAL	Body Material	Body Coating
5.SA.T.0	5	straight, very fine, sharp	-	110 mm 4.33"	anti-acid/anti-mag stainless steel	PTFE

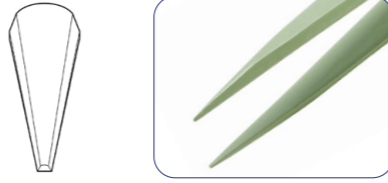


Part Number	Tip Style	Tip Description	Handle Serration	OAL	Body Material	Body Coating
7.SA.T.0	7	curved, fine, sharp	-	120 mm 4.72"	anti-acid/anti-mag stainless steel	PTFE



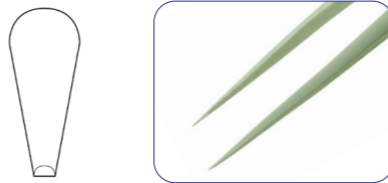
PTFE COATED TWEEZERS

AA



Part Number	Tip Style	Tip Description	Handle Serration	OAL	Body Material	Body Coating
AA.SA.T.6	AA	straight, fine, pointed	-	130 mm 5.12"	anti-acid/anti-mag stainless steel	PTFE

SS



Part Number	Tip Style	Tip Description	Handle Serration	OAL	Body Material	Body Coating
SS.SA.T.0	SS	straight, fine, very sharp	-	140 mm 5.51"	anti-acid/anti-mag stainless steel	PTFE

4WF



Part Number	Tip Style	Tip Description	Handle Serration	OAL	Body Material	Body Coating
4WF.SA.T.1	4WF	straight, wafer	line serrated	125 mm 4.92"	anti-acid/anti-mag stainless steel	PTFE

6WF



Part Number	Tip Style	Tip Description	Handle Serration	OAL	Body Material	Body Coating
6WF.SA.T.1	6WF	straight, wafer	line serrated	130 mm 5.12"	anti-acid/anti-mag stainless steel	PTFE



PTFE COATED TWEEZERS

8WF



Part Number	Tip Style	Tip Description	Handle Serration	OAL	Body Material	Body Coating
8WF.SA.T.1	8WF	straight, wafer	line serrated	135 mm 5.31"	anti-acid/anti-mag stainless steel	PTFE

REVERSE ACTION TWEEZERS



Specifically designed for applications that require a high precision self-closing action. The peculiar shape of handles guarantees a uniform tension in the handling of small fragile parts.

REVERSE ACTION

TWEEZERS | ADDICTED TO PRECISION



2AX



Part Number	Tip Style	Tip Description	OAL	Body Material	Body Finishing
2AX.SA.1	2AX	straight, fine, round, flat	120 mm 4.72"	anti-acid/anti-mag stainless steel	sandblasted

3X



Part Number	Tip Style	Tip Description	OAL	Body Material	Body Finishing
3X.SA.1	3X	straight, very fine, sharp	120 mm 4.72"	anti-acid/anti-mag stainless steel	sandblasted

4X



Part Number	Tip Style	Tip Description	OAL	Body Material	Body Finishing
4X.SA.1	4X	straight, fine, sharp	110 mm 4.33"	anti-acid/anti-mag stainless steel	sandblasted

5AX



Part Number	Tip Style	Tip Description	OAL	Body Material	Body Finishing
5AX.SA.1	5AX	straight, fine, sharp	115 mm 4.53"	anti-acid/anti-mag stainless steel	sandblasted



REVERSE ACTION TWEEZERS

5TTH



Part Number	Tip Style	Tip Description	OAL	Body Material	Body Finishing
5TTHX.SA.0	5TTH	bent, very fine, sharp	105 mm 4.13"	anti-acid/anti-mag stainless steel	sandblasted

5X



Part Number	Tip Style	Tip Description	OAL	Body Material	Body Finishing
5X.SA.1	5X	straight, fine, sharp	110 mm 4.33"	anti-acid/anti-mag stainless steel	sandblasted

7X



Part Number	Tip Style	Tip Description	OAL	Body Material	Body Finishing
7X.SA.1	7X	Curved, fine, squared	115 mm 4.53"	anti-acid/anti-mag stainless steel	sandblasted

REVERSE ACTION TWEEZERS

REVERSE ACTION TWEEZER KIT

K5PINX



K5PINX

Kit of 5 Reverse Action tweezers: 2AX, 3X, 5X, 5AX, 7X



Part Number	Tip Style	Tip Description	OAL	Body Material	Body Finishing
2AX.SA.1	2AX	straight, fine, round, flat	120 mm 4.72"	anti-acid/anti-mag stainless steel	sandblasted
3X.SA.1	3X	straight, very fine, sharp	120 mm 4.72"	anti-acid/anti-mag stainless steel	sandblasted
5X.SA.1	5X	straight, fine, sharp	110 mm 4.33"	anti-acid/anti-mag stainless steel	sandblasted
5AX.SA.1	5AX	straight, fine, sharp	115 mm 4.53"	anti-acid/anti-mag stainless steel	sandblasted
7X.SA.1	7X	Curved, fine, squared	115 mm 4.53"	anti-acid/anti-mag stainless steel	sandblasted



PREMIUM ECONOMY TWEEZERS

PREMIUM ECONOMY

TWEEZERS | ADDICTED TO PRECISION



00



Part Number	Tip Style	Tip Description	Handle Serration	OAL	Body Material	Body Finishing
00.SA.6	00	straight, thick, squared, strong	-	120 mm 4.72"	anti-acid/anti-mag stainless steel	sandblasted
00B.SA.6	00	straight, thick, squared, strong	line serrated	120 mm 4.72"	anti-acid/anti-mag stainless steel	sandblasted
00D.SA.6	00	straight, thick, squared, strong, line serrated	line serrated	120 mm 4.72"	anti-acid/anti-mag stainless steel	sandblasted
00E.SA.6	00	straight, fine, squared, strong	-	120 mm 4.72"	anti-acid/anti-mag stainless steel	sandblasted

0C9



Part Number	Tip Style	Tip Description	Handle Serration	OAL	Body Material	Body Finishing
0C9.SA.6	0C9	straight, fine, sharp	-	90 mm 3.54"	anti-acid/anti-mag stainless steel	sandblasted

1



Part Number	Tip Style	Tip Description	Handle Serration	OAL	Body Material	Body Finishing
1.SA.6	1	straight, fine, pointed	-	120 mm 4.72"	anti-acid/anti-mag stainless steel	sandblasted

Ideal-tek Premium Economy line includes a great variety of stainless steel tweezers suitable for many applications. Anti-acid and anti-magnetic, they offer the most convenient quality/price ratio.



PREMIUM ECONOMY TWEEZERS

2



Part Number	Tip Style	Tip Description	Handle Serration	OAL	Body Material	Body Finishing
2.SA.6	2	straight, very fine, pointed	-	120 mm 4.72"	anti-acid/anti-mag stainless steel	sandblasted

2A



Part Number	Tip Style	Tip Description	Handle Serration	OAL	Body Material	Body Finishing
2A.SA.6	2A	straight, fine, round, flat	-	125 mm 4.92"	anti-acid/anti-mag stainless steel	sandblasted

3



Part Number	Tip Style	Tip Description	Handle Serration	OAL	Body Material	Body Finishing
3.SA.6	3	straight, fine, pointed	-	125 mm 4.92"	anti-acid/anti-mag stainless steel	sandblasted

3



Part Number	Tip Style	Tip Description	Handle Serration	OAL	Body Material	Body Finishing
3C.SA.6	3	straight, fine, pointed	-	110 mm 4.33"	anti-acid/anti-mag stainless steel	sandblasted



PREMIUM ECONOMY TWEEZERS

3



Part Number	Tip Style	Tip Description	Handle Serration	OAL	Body Material	Body Finishing
3CB.SA.6	3	bent, fine, sharp	-	110 mm 4.33"	anti-acid/anti-mag stainless steel	sandblasted

4

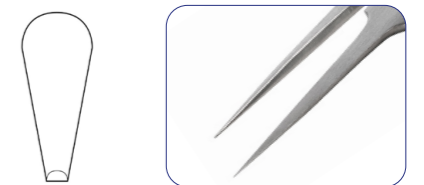


Part Number	Tip Style	Tip Description	Handle Serration	OAL	Body Material	Body Finishing
4.SA.6	4	straight, fine, sharp	-	110 mm 4.33"	anti-acid/anti-mag stainless steel	sandblasted

4A.SA.6

Part Number	Tip Style	Tip Description	Handle Serration	OAL	Body Material	Body Finishing
4A.SA.6	4	straight, fine, sharp, strong	-	110 mm 4.33"	anti-acid/anti-mag stainless steel	sandblasted

5



Part Number	Tip Style	Tip Description	Handle Serration	OAL	Body Material	Body Finishing
5.SA.6	5	straight, fine, sharp	-	110 mm 4.33"	anti-acid/anti-mag stainless steel	sandblasted

5A



Part Number	Tip Style	Tip Description	Handle Serration	OAL	Body Material	Body Finishing
5A.SA.6	5A	straight, fine, sharp	-	115 mm 4.53"	anti-acid/anti-mag stainless steel	sandblasted



PREMIUM ECONOMY TWEEZERS

5



Part Number	Tip Style	Tip Description	Handle Serration	OAL	Body Material	Body Finishing
5B.SA.6	5	bent, fine, sharp	-	110 mm 4.33"	anti-acid/anti-mag stainless steel	sandblasted

5



Part Number	Tip Style	Tip Description	Handle Serration	OAL	Body Material	Body Finishing
5C.SA.6	5	double bent, fine, sharp	-	115 mm 4.53"	anti-acid/anti-mag stainless steel	sandblasted

6



Part Number	Tip Style	Tip Description	Handle Serration	OAL	Body Material	Body Finishing
6.SA.6	6	angled, fine	-	115 mm 4.53"	anti-acid/anti-mag stainless steel	sandblasted

7



Part Number	Tip Style	Tip Description	Handle Serration	OAL	Body Material	Body Finishing
7.SA.6	7	curved, fine	-	120 mm 4.72"	anti-acid/anti-mag stainless steel	sandblasted
7A.SA.6	7	curved, fine, strong	-	120 mm 4.72"	anti-acid/anti-mag stainless steel	sandblasted



PREMIUM ECONOMY TWEEZERS

AC



Part Number	Tip Style	Tip Description	Handle Serration	OAL	Body Material	Body Finishing
AC.SA.6	AC	straight, fine, strong	line serrated	110 mm 4.33"	anti-acid/anti-mag stainless steel	sandblasted

SS



Part Number	Tip Style	Tip Description	Handle Serration	OAL	Body Material	Body Finishing
SS.SA.6	SS	straight, very fine, very sharp	-	140 mm 5.51"	anti-acid/anti-mag stainless steel	sandblasted



ECONOMY TWEEZERS



Economy Tweezers are made in Asia from low carbon austenitic steel, and re-worked for a consistent performance. Ideal to work in hard environment, requiring corrosion resistance and toughness.

ECONOMY TWEEZERS | ADDICTED TO PRECISION



00



Part Number	Tip Style	Tip Description	Handle Serration	OAL	Body Material	Body Finishing
00.SA.B	00	straight, thick, squared, strong	-	120 mm 4.72"	anti-acid/anti-mag stainless steel	sandblasted
00D.SA.B	00	straight, thick, squared, strong, line serrated	line serrated	120 mm 4.72"	anti-acid/anti-mag stainless steel	sandblasted

1



Part Number	Tip Style	Tip Description	Handle Serration	OAL	Body Material	Body Finishing
1.SA.B	1	straight, fine, pointed	-	120 mm 4.72"	anti-acid/anti-mag stainless steel	sandblasted

2



Part Number	Tip Style	Tip Description	Handle Serration	OAL	Body Material	Body Finishing
2.SA.B	2	straight, very fine, pointed	-	120 mm 4.72"	anti-acid/anti-mag stainless steel	sandblasted



ECONOMY TWEEZERS

2A



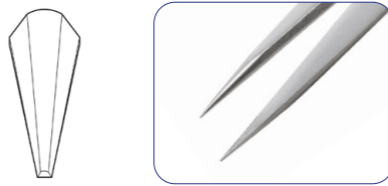
Part Number	Tip Style	Tip Description	Handle Serration	OAL	Body Material	Body Finishing
2A.SA.B	2A	straight, fine, round, flat	-	120 mm 4.72"	anti-acid/anti-mag stainless steel	sandblasted

3



Part Number	Tip Style	Tip Description	Handle Serration	OAL	Body Material	Body Finishing
3.SA.B	3	straight, fine, pointed	-	125 mm 4.92"	anti-acid/anti-mag stainless steel	sandblasted

3



Part Number	Tip Style	Tip Description	Handle Serration	OAL	Body Material	Body Finishing
3C.SA.B	3	straight, fine, pointed	-	110 mm 4.33"	anti-acid/anti-mag stainless steel	sandblasted

4



Part Number	Tip Style	Tip Description	Handle Serration	OAL	Body Material	Body Finishing
4.SA.B	4	straight, fine, sharp	-	110 mm 4.33"	anti-acid/anti-mag stainless steel	sandblasted

ECONOMY TWEEZERS

5



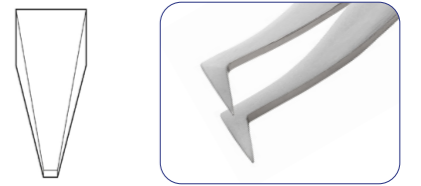
Part Number	Tip Style	Tip Description	Handle Serration	OAL	Body Material	Body Finishing
5.SA.B	5	straight, fine, sharp	-	110 mm 4.33"	anti-acid/anti-mag stainless steel	sandblasted

5A



Part Number	Tip Style	Tip Description	Handle Serration	OAL	Body Material	Body Finishing
5A.SA.B	5A	straight, fine, sharp	-	110 mm 4.33"	anti-acid/anti-mag stainless steel	sandblasted

6



Part Number	Tip Style	Tip Description	Handle Serration	OAL	Body Material	Body Finishing
6.SA.B	6	angled, fine, sharp	-	115 mm 4.53"	anti-acid/anti-mag stainless steel	sandblasted

7



Part Number	Tip Style	Tip Description	Handle Serration	OAL	Body Material	Body Finishing
7.SA.B	7	curved, fine	-	120 mm 4.72"	anti-acid/anti-mag stainless steel	sandblasted
7A.SA.B	7	curved, fine, strong	-	120 mm 4.72"	anti-acid/anti-mag stainless steel	sandblasted



ECONOMY TWEEZERS

AC



Part Number	Tip Style	Tip Description	Handle Serration	OAL	Body Material	Body Finishing
AC.SA.B	AC	straight, fine, strong	line serrated	110 mm 4.33"	anti-acid/anti-mag stainless steel	sandblasted

SS



Part Number	Tip Style	Tip Description	Handle Serration	OAL	Body Material	Body Finishing
SS.SA.B	SS	straight, very fine, very sharp	-	140 mm 5.51"	anti-acid/anti-mag stainless steel	sandblasted

ECONOMY TWEEZERS

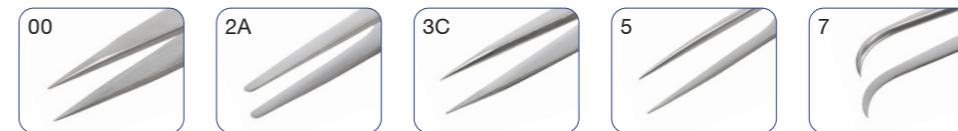
ECONOMY TWEEZER KIT

K5-ECO.SA



K5-ECO.SA

Kit of 5 Economy tweezers: 00, 2A, 3C, 5, 7



Part Number	Tip Style	Tip Description	Handle Serration	OAL	Body Material	Body Finishing
00.SA.B	00	straight, thick, squared, strong	-	120 mm 4.72"	anti-acid/anti-mag stainless steel	sandblasted
2A.SA.B	2A	straight, fine, round, flat	-	120 mm 4.72"	anti-acid/anti-mag stainless steel	sandblasted
3C.SA.B	3	straight, fine, pointed	-	110 mm 4.33"	anti-acid/anti-mag stainless steel	sandblasted
5.SA.B	5	straight, fine, sharp	-	110 mm 4.33"	anti-acid/anti-mag stainless steel	sandblasted
7.SA.B	7	curved, fine	-	120 mm 4.72"	anti-acid/anti-mag stainless steel	sandblasted





WAFER TWEEZERS



Wafer tweezers feature flat tips for handling wafer semiconductors and other flat parts in repairing or manufacturing sectors.

WAFER

TWEEZERS | ADDICTED TO PRECISION

2WF



Part Number	Tip Style	Tip Description	Handle Serration	OAL	Tip Material	Body Material	ESD
2WF.SA.1	2WF	handling 2"	line serrated	120 mm 4.72"	-	anti-acid/anti-mag stainless steel	no

2WFG



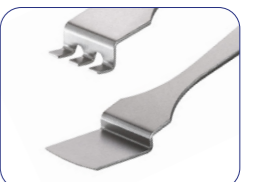
Part Number	Tip Style	Tip Description	Handle Serration	OAL	Tip Material	Body Material	ESD
2WFG.SA.1	2WFG	handling 2"	line serrated	120 mm 4.72"	-	anti-acid/anti-mag stainless steel	no

2WL



Part Number	Tip Style	Tip Description	Handle Serration	OAL	Tip Material	Body Material	ESD
2WL.SA.1	2WL	handling 2"	line serrated	120 mm 4.72"	-	anti-acid/anti-mag stainless steel	no

3WF

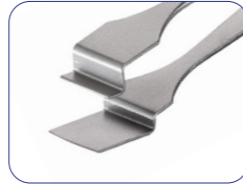


Part Number	Tip Style	Tip Description	Handle Serration	OAL	Tip Material	Body Material	ESD
3WF.SA.1	3WF	handling 2"	line serrated	125 mm 4.92"	-	anti-acid/anti-mag stainless steel	no



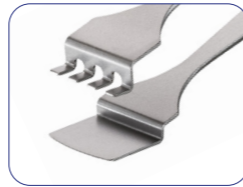
WAFER TWEEZERS

3WL



Part Number	Tip Style	Tip Description	Handle Serration	OAL	Tip Material	Body Material	ESD
3WL.SA.1	3WL	handling 2"	line serrated	125 mm 4.92"	-	anti-acid/anti-mag stainless steel	no

4WF



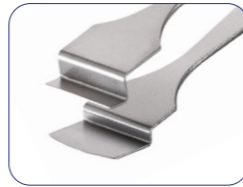
Part Number	Tip Style	Tip Description	Handle Serration	OAL	Tip Material	Body Material	ESD
4WF.SA.1	4WF	handling 3"	line serrated	125 mm 4.92"	-	anti-acid/anti-mag stainless steel	no

4WFG



Part Number	Tip Style	Tip Description	Handle Serration	OAL	Tip Material	Body Material	ESD
4WFG.SA.1	4WFG	handling 3"	line serrated	125 mm 4.92"	-	anti-acid/anti-mag stainless steel	no

4WL



Part Number	Tip Style	Tip Description	Handle Serration	OAL	Tip Material	Body Material	ESD
4WL.SA.1	4WL	handling 3"	line serrated	125 mm 4.92"	-	anti-acid/anti-mag stainless steel	no



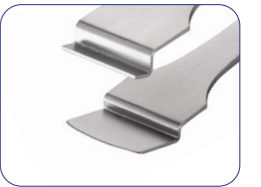
WAFER TWEEZERS

5WF



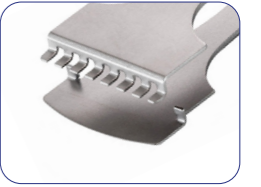
Part Number	Tip Style	Tip Description	Handle Serration	OAL	Tip Material	Body Material	ESD
5WF.SA.1	5WF	handling 5"	line serrated	130 mm 5.12"	-	anti-acid/anti-mag stainless steel	no

5WL



Part Number	Tip Style	Tip Description	Handle Serration	OAL	Tip Material	Body Material	ESD
5WL.SA.1	5WL	handling 5"	line serrated	130 mm 5.12"	-	anti-acid/anti-mag stainless steel	no

48WF



Part Number	Tip Style	Tip Description	Handle Serration	OAL	Tip Material	Body Material	ESD
48WF.SA.1	48WF	handling 6"	line serrated	135 mm 5.31"	-	anti-acid/anti-mag stainless steel	no

6WF

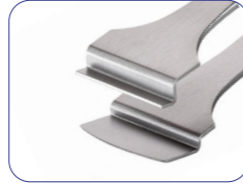


Part Number	Tip Style	Tip Description	Handle Serration	OAL	Tip Material	Body Material	ESD
6WF.SA.1	6WF	handling 6"	line serrated	130 mm 5.12"	-	anti-acid/anti-mag stainless steel	no



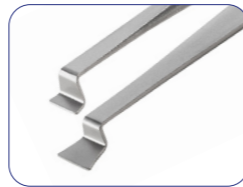
WAFER TWEEZERS

6WL



Part Number	Tip Style	Tip Description	Handle Serration	OAL	Tip Material	Body Material	ESD
6WL.SA.1	6WL	handling 6"	line serrated	130 mm 5.12"	-	anti-acid/anti-mag stainless steel	no

85C



Part Number	Tip Style	Tip Description	Handle Serration	OAL	Tip Material	Body Material	ESD
85C.SA.1	85C	handling 2"	line serrated	120 mm 4.72"	-	anti-acid/anti-mag stainless steel	no

8WF



Part Number	Tip Style	Tip Description	Handle Serration	OAL	Tip Material	Body Material	ESD
8WF.SA.1	8WF	handling 6"	line serrated	135 mm 5.31"	-	anti-acid/anti-mag stainless steel	no

8W



Part Number	Tip Style	Tip Description	Handle Serration	OAL	Tip Material	Body Material	ESD
8WNY.SA.1	8W	handling 8"	line serrated	150 mm 5.91"	nylon	anti-acid/anti-mag stainless steel	no



WAFER TWEEZERS

8W



Part Number	Tip Style	Tip Description	Handle Serration	OAL	Tip Material	Body Material	ESD
8WT.SA.1	8W	handling 8"	line serrated	150 mm 5.91"	PTFE	anti-acid/anti-mag stainless steel	no
8WTC1.SA.1	8W	handling 8"	line serrated	150 mm 5.91"	PTFE	anti-acid/anti-mag stainless steel	yes



SMD TWEEZERS



SMD Tweezers are available in a variety of tips and angles configurations for smooth holding, positioning and controlling of small Surface Mount Device components.

SMD

TWEEZERS | ADDICTED TO PRECISION



SM103



Part Number	Tip Style	Tip Description	Handle Serration	OAL	Body Material	Body Finishing
SM103.SA.1	SM103	bent	-	115 mm 4.53"	anti-acid/anti-mag stainless steel	sandblasted

SM104



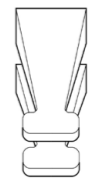
Part Number	Tip Style	Tip Description	Handle Serration	OAL	Body Material	Body Finishing
SM104.SA.1	SM104	bent	-	120 mm 4.72"	anti-acid/anti-mag stainless steel	sandblasted

SM104X



Part Number	Tip Style	Tip Description	Handle Serration	OAL	Body Material	Body Finishing
SM104X.SA.1	SM104X	bent	-	115 mm 4.53"	anti-acid/anti-mag stainless steel	sandblasted

SM105



Part Number	Tip Style	Tip Description	Handle Serration	OAL	Body Material	Body Finishing
SM105.SA.1	SM105	straight	-	120 mm 4.72"	anti-acid/anti-mag stainless steel	sandblasted



SMD TWEEZERS

SM106



Part Number	Tip Style	Tip Description	Handle Serration	OAL		Body Material	Body Finishing
SM106.SA.1	SM106	bent	-	120 mm	4.72"	anti-acid/anti-mag stainless steel	sandblasted

SM107



Part Number	Tip Style	Tip Description	Handle Serration	OAL		Body Material	Body Finishing
SM107.SA.1	SM107	bent, flat	-	120 mm	4.72"	anti-acid/anti-mag stainless steel	sandblasted

SM108



Part Number	Tip Style	Tip Description	Handle Serration	OAL		Body Material	Body Finishing
SM108.SA.1	SM108	straight	-	120 mm	4.72"	anti-acid/anti-mag stainless steel	sandblasted

SM109



Part Number	Tip Style	Tip Description	Handle Serration	OAL		Body Material	Body Finishing
SM109.SA.1	SM109	straight	-	120 mm	4.72"	anti-acid/anti-mag stainless steel	sandblasted



SMD TWEEZERS

SM110



Part Number	Tip Style	Tip Description	Handle Serration	OAL		Body Material	Body Finishing
SM110.SA.1	SM110	straight	-	120 mm	4.72"	anti-acid/anti-mag stainless steel	sandblasted

SM111



Part Number	Tip Style	Tip Description	Handle Serration	OAL		Body Material	Body Finishing
SM111.SA.1	SM111	bent	-	115 mm	4.53"	anti-acid/anti-mag stainless steel	sandblasted

SM115



Part Number	Tip Style	Tip Description	Handle Serration	OAL		Body Material	Body Finishing
SM115.SA.1	SM115	bent, beveled	-	115 mm	4.53"	anti-acid/anti-mag stainless steel	sandblasted

SM116



Part Number	Tip Style	Tip Description	Handle Serration	OAL		Body Material	Body Finishing
SM116.SA.1	SM116	straight, grooved	-	120 mm	4.72"	anti-acid/anti-mag stainless steel	sandblasted



SMD TWEEZERS

SM117



Part Number	Tip Style	Tip Description	Handle Serration	OAL		Body Material	Body Finishing
SM117.SA.1	SM117	bent	-	120 mm 4.72"		anti-acid/anti-mag stainless steel	sandblasted

SM2



Part Number	Tip Style	Tip Description	Handle Serration	OAL		Body Material	Body Finishing
SM2.SA.1	SM2	straight, squared	groove	120 mm 4.72"		anti-acid/anti-mag stainless steel	sandblasted

SM3



Part Number	Tip Style	Tip Description	Handle Serration	OAL		Body Material	Body Finishing
SM3.SA.1	SM3	straight	-	120 mm 4.72"		anti-acid/anti-mag stainless steel	sandblasted



SMD TWEEZERS

SMD TWEEZER KIT

K5SMDF



K5SMDF

Kit of 5 SMD tweezers: SM103, SM107, SM108, SM111, SM115



Part Number	Tip Style	Tip Description	Handle Serration	OAL		Body Material	Body Finishing
SM103.SA.1	SM103	bent	-	115 mm 4.53"		anti-acid/anti-mag stainless steel	sandblasted
SM107.SA.1	SM107	bent, flat	-	120 mm 4.72"		anti-acid/anti-mag stainless steel	sandblasted
SM108.SA.1	SM108	straight	-	120 mm 4.72"		anti-acid/anti-mag stainless steel	sandblasted
SM111.SA.1	SM111	bent	-	115 mm 4.53"		anti-acid/anti-mag stainless steel	sandblasted
SM115.SA.1	SM115	bent, beveled	-	115 mm 4.53"		anti-acid/anti-mag stainless steel	sandblasted



COMPONENT POSITIONING TWEEZERS



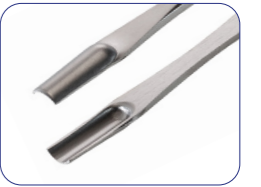
Component positioning tweezers are ideal for delicate applications that involve holding cylindrical devices of various sizes.

COMPONENT POSITIONING



TWEEZERS | ADDICTED TO PRECISION

571



Part Number	Tip Style	Tip Description	Handle Serration	OAL	Body Material	Body Finishing
571.SA.1	571	straight, arc shape, grooved	line serrated	145 mm 5.71"	anti-acid/anti-mag stainless steel	sandblasted

572



Part Number	Tip Style	Tip Description	Handle Serration	OAL	Body Material	Body Finishing
572.SA.1	572	straight, arc shape, grooved	line serrated	145 mm 5.71"	anti-acid/anti-mag stainless steel	sandblasted

578



Part Number	Tip Style	Tip Description	Handle Serration	OAL	Body Material	Body Finishing
578.SA.1	578	straight, arc shape, grooved	line serrated	120 mm 4.72"	anti-acid/anti-mag stainless steel	sandblasted

582



Part Number	Tip Style	Tip Description	Handle Serration	OAL	Body Material	Body Finishing
582.SA.1	582	straight, arc shape	line serrated	120 mm 4.72"	anti-acid/anti-mag stainless steel	sandblasted



BOLEY TWEEZERS



BOLEY

TWEEZERS | ADDICTED TO PRECISION



AA



Part Number	Tip Style	Tip Description	OAL	Body Material	Body Finishing
AA.SA.6	AA	straight, fine, pointed	130 mm 5.12"	anti-acid/anti-mag stainless steel	sandblasted
AA.S.6	AA	straight, fine, pointed	130 mm 5.12"	stainless steel	sandblasted
AA.SA.B	AA	straight, fine, pointed	130 mm 5.12"	anti-acid/anti-mag stainless steel	sandblasted

GG



Part Number	Tip Style	Tip Description	OAL	Body Material	Body Finishing
GG.SA.5	GG	straight, thick, pointed, strong	130 mm 5.12"	anti-acid/anti-mag stainless steel	sandblasted

MM



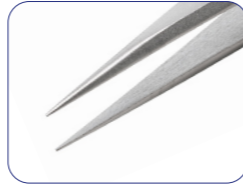
Part Number	Tip Style	Tip Description	OAL	Body Material	Body Finishing
MM.SA.6	MM	straight, fine, pointed, strong	125 mm 4.92"	anti-acid/anti-mag stainless steel	sandblasted
MM.S.6	MM	straight, fine, pointed, strong	125 mm 4.92"	stainless steel	sandblasted
MM.C.NP6	MM	straight, fine, pointed, strong	125 mm 4.92"	carbon steel	nickel plated
MM.SA.B	MM	straight, fine, pointed, strong	125 mm 4.92"	anti-acid/anti-mag stainless steel	sandblasted

General purpose precision tools available in different materials for specific applications.

With tapered shanks and beveled edges, Boley tweezers are used where hardness, resistance to mechanical stress, wear, oxidation and abrasion are required.



RR



Part Number	Tip Style	Tip Description	OAL	Body Material	Body Finishing
RR.SA.5	RR	straight, thick, pointed, strong	145 mm 5.71"	anti-acid/anti-mag stainless steel	sandblasted

GENERAL PURPOSE TWEEZERS



General-purpose tweezers are suitable for securely holding components, workpieces or specimens in the most various applications.



GENERAL PURPOSE

TWEEZERS | ADDICTED TO PRECISION



119



Part Number	Tip Style	Tip Description	Handle Serration	OAL	Body Material	Body Finishing
119.SA.1	119	straight, thick, beveled, rhomb serrated	line serrated	150 mm 5.91"	anti-acid/anti-mag stainless steel	sandblasted

119B



Part Number	Tip Style	Tip Description	Handle Serration	OAL	Body Material	Body Finishing
119B.SA.1	119B	curved, fine, beveled, strong, rhomb serrated	line serrated	150 mm 5.91"	anti-acid/anti-mag stainless steel	sandblasted

120



Part Number	Tip Style	Tip Description	Handle Serration	OAL	Body Material	Body Finishing
120A.SA.1	120	straight, fine, beveled, line serrated	line serrated	115 mm 4.53"	anti-acid/anti-mag stainless steel	sandblasted

121



Part Number	Tip Style	Tip Description	Handle Serration	OAL	Body Material	Body Finishing
121.SA.1	121	straight, thick, beveled, strong, rhomb serrated	line serrated	160 mm 6.30"	anti-acid/anti-mag stainless steel	sandblasted

120

GENERAL PURPOSE TWEEZERS

122



Part Number	Tip Style	Tip Description	Handle Serration	OAL	Body Material	Body Finishing
122.SA.1	122	bent, thick, sharp, rhomb serrated	line serrated	150 mm 5.91"	anti-acid/anti-mag stainless steel	sandblasted

124



Part Number	Tip Style	Tip Description	Handle Serration	OAL	Body Material	Body Finishing
124.SA.1	124	bent, thick, beveled, strong, rhomb serrated	line serrated	150 mm 5.91"	anti-acid/anti-mag stainless steel	sandblasted

125



Part Number	Tip Style	Tip Description	Handle Serration	OAL	Body Material	Body Finishing
125.SA.1	125	straight, thin, round, flat	line serrated	120 mm 4.72"	anti-acid/anti-mag stainless steel	sandblasted

125A



Part Number	Tip Style	Tip Description	Handle Serration	OAL	Body Material	Body Finishing
125A.SA.1	125A	straight, thick, beveled	line serrated	120 mm 4.72"	anti-acid/anti-mag stainless steel	sandblasted



121

GENERAL PURPOSE TWEEZERS

127



Part Number	Tip Style	Tip Description	Handle Serration	OAL		Body Material	Body Finishing
127.SA.1	127	straight, thin, squared	line serrated	105 mm	4.13"	anti-acid/anti-mag stainless steel	sandblasted

127



Part Number	Tip Style	Tip Description	Handle Serration	OAL		Body Material	Body Finishing
128.SA.1	127	bent, thin, squared	line serrated	105 mm	4.13"	anti-acid/anti-mag stainless steel	sandblasted

456



Part Number	Tip Style	Tip Description	Handle Serration	OAL		Body Material	Body Finishing
456.SA.2	456	straight, fine, beveled, line serrated	-	125 mm	4.92"	anti-acid/anti-mag stainless steel	sandblasted

475



Part Number	Tip Style	Tip Description	Handle Serration	OAL		Body Material	Body Finishing
475.SA.1	475	straight, line serrated	line serrated	135 mm	5.31"	anti-acid/anti-mag stainless steel	sandblasted



GENERAL PURPOSE TWEEZERS

646



Part Number	Tip Style	Tip Description	Handle Serration	OAL		Body Material	Body Finishing
646.SA.6	646	bent, thick, beveled, strong, line serrated	line serrated	155 mm	6.10"	anti-acid/anti-mag stainless steel	polished

646



Part Number	Tip Style	Tip Description	Handle Serration	OAL		Body Material	Body Finishing
646.S.6	646	bent, thick, beveled, strong, line serrated	line serrated	155 mm	6.10"	stainless steel	polished

647



Part Number	Tip Style	Tip Description	Handle Serration	OAL		Body Material	Body Finishing
647.SA.5	647	straight, thick, beveled, strong, square serrated	line serrated	120 mm	4.72"	anti-acid/anti-mag stainless steel	sandblasted

648



Part Number	Tip Style	Tip Description	Handle Serration	OAL		Body Material	Body Finishing
648.SA.6	648	straight, thick, beveled, strong, line serrated	line serrated	155 mm	6.10"	anti-acid/anti-mag stainless steel	polished



GENERAL PURPOSE TWEEZERS

648



Part Number	Tip Style	Tip Description	Handle Serration	OAL	Body Material	Body Finishing
648.S.6	648	straight, thick, beveled, strong, line serrated	line serrated	155 mm 6.10"	stainless steel	polished

649



Part Number	Tip Style	Tip Description	Handle Serration	OAL	Body Material	Body Finishing
649.SA.6	649	bent, thick, beveled, strong, line serrated	line serrated	155 mm 6.10"	anti-acid/anti-mag stainless steel	polished

650



Part Number	Tip Style	Tip Description	Handle Serration	OAL	Body Material	Body Finishing
650.SA.6	650	double bent, thick, beveled, strong, line serrated	line serrated	155 mm 6.10"	anti-acid/anti-mag stainless steel	polished

650



Part Number	Tip Style	Tip Description	Handle Serration	OAL	Body Material	Body Finishing
650.S.6	650	double bent, thick, beveled, strong, line serrated	line serrated	155 mm 6.10"	stainless steel	polished



GENERAL PURPOSE TWEEZERS

253040



Part Number	Tip Style	Tip Description	Handle Serration	OAL	Body Material	Body Finishing
253040.C.BI.8	253040	straight, sawtooth	groove serrated	125 mm 4.92"	carbon steel	-





HEAVY DUTY TWEEZERS



Comfortable and precision handling of electronic components for soldering operations. Available in straight or bent version and various lengths.

HEAVY DUTY TWEEZERS | ADDICTED TO PRECISION

29



Part Number	Tip Style	Tip Description	Handle Serration	OAL	Body Material	Body Finishing
29.SA.5	29	straight, blunted, strong, square serrated	-	165 mm 6.50"	anti-acid/anti-mag stainless steel	sandblasted

30



Part Number	Tip Style	Tip Description	Handle Serration	OAL	Body Material	Body Finishing
30.SA.5	30	bent, blunted, strong, square serrated	-	160 mm 6.30"	anti-acid/anti-mag stainless steel	sandblasted

31



Part Number	Tip Style	Tip Description	Handle Serration	OAL	Body Material	Body Finishing
31.SA.5	31	straight, fine, sharp	-	115 mm 4.53"	anti-acid/anti-mag stainless steel	sandblasted

57A



Part Number	Tip Style	Tip Description	Handle Serration	OAL	Body Material	Body Finishing
57A.SA.5	57A	straight, strong, rhomb serrated, locking system	-	140 mm 5.51"	anti-acid/anti-mag stainless steel	sandblasted



HEAVY DUTY TWEEZERS

7312



Part Number	Tip Style	Tip Description	Handle Serration	OAL		Body Material	Body Finishing
7312.SA.9	7312	straight, beveled, flat, line serrated	line serrated	120 mm 4.72"		anti-acid/anti-mag stainless steel	sandblasted

7312



Part Number	Tip Style	Tip Description	Handle Serration	OAL		Body Material	Body Finishing
7314.SA.9	7312	straight, beveled, flat, line serrated	line serrated	145 mm 5.71"		anti-acid/anti-mag stainless steel	sandblasted

7312



Part Number	Tip Style	Tip Description	Handle Serration	OAL		Body Material	Body Finishing
7320.C.NP.9	7312	straight, beveled, flat, line serrated	line serrated	200 mm 7.87"		carbon steel	nickel plated

7312



Part Number	Tip Style	Tip Description	Handle Serration	OAL		Body Material	Body Finishing
7325.C.NP.9	7312	straight, beveled, flat, line serrated	line serrated	250 mm 9.84"		carbon steel	nickel plated



HEAVY DUTY TWEEZERS

7312



Part Number	Tip Style	Tip Description	Handle Serration	OAL		Body Material	Body Finishing
7330.C.NP.9	7312	straight, thick, beveled, line serrated	line serrated	300 mm 11.81"		carbon steel	nickel plated





GOLD PLATED TWEEZERS



Scratch resistant and perfect for nickel grid handling in immuno-gold work. Made from anti-acid non-magnetic stainless steel, and plated with 2 microns of pure 24-carat gold: the coating improves resistance to chemical corrosion, oxidation and electrical conductivity.

GOLD PLATED DUTY

TWEEZERS | ADDICTED TO PRECISION

1



Part Number	Tip Style	Tip Description	OAL	Body Material	Body Coating
1.SA.GP.0	1	straight, fine, pointed	120 mm 4.72"	anti-acid/anti-mag stainless steel	gold plated

2A



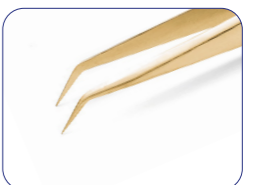
Part Number	Tip Style	Tip Description	OAL	Body Material	Body Coating
2A.SA.GP.0	2A	straight, fine, round, flat	120 mm 4.72"	anti-acid/anti-mag stainless steel	gold plated

3



Part Number	Tip Style	Tip Description	OAL	Body Material	Body Coating
3.SA.GP.0	3	straight, fine, pointed	120 mm 4.72"	anti-acid/anti-mag stainless steel	gold plated

3



Part Number	Tip Style	Tip Description	OAL	Body Material	Body Coating
3CB.SA.GP.0	3	bent, fine, pointed	110 mm 4.33"	anti-acid/anti-mag stainless steel	gold plated



GOLD PLATED TWEEZERS

4



Part Number	Tip Style	Tip Description	OAL	Body Material	Body Coating
4.SA.GP.0	4	straight, very fine, sharp	110 mm 4.33"	anti-acid/anti-mag stainless steel	gold plated

5



Part Number	Tip Style	Tip Description	OAL	Body Material	Body Coating
5.SA.GP.0	5	straight, very fine, sharp	110 mm 4.33"	anti-acid/anti-mag stainless steel	gold plated

5



Part Number	Tip Style	Tip Description	OAL	Body Material	Body Coating
5B.SA.GP.0	5	bent, very fine, sharp	110 mm 4.33"	anti-acid/anti-mag stainless steel	gold plated

5TTH



Part Number	Tip Style	Tip Description	OAL	Body Material	Body Coating
5TTHX.SA.GP.0	5TTH	bent, very fine, sharp	105 mm 4.13"	anti-acid/anti-mag stainless steel	gold plated



GOLD PLATED TWEEZERS

7



Part Number	Tip Style	Tip Description	OAL	Body Material	Body Coating
7.SA.GP.0	7	curved, very fine, sharp	120 mm 4.72"	anti-acid/anti-mag stainless steel	gold plated



PRECISION HANDTOOL KIT



PRECISION HANDTOOL KIT | ADDICTED TO PRECISION



CUTTERS & PLIERS

- ES5140.CR.BG
- ES5542.CR.BG
- ES5247.CR.BG
- ES6024.CR.BG

TWEEZERS

- 152.S.0
- 15A.C.0
- 0C9.SA.0
- 2A.SA.0
- 4X.SA.1
- SM111.SA.1
- 5.SA.DR.0
- 259CFR.SA.1
- 71ZJ.SA.0

PLASTIC PROBE

- MPT1RCP

Part Number	Kit Description
KDEMOA5-E	High precision tool kit for Electronics, A5 size: ES5140.CR.BG, ES5542.CR.BG, ES5247.CR.BG, ES6024.CR.BG, 152.S.0, 15A.C.0, 0C9.SA.0, 2A.SA.0, 4X.SA.1, SM111.SA.1, 5.SA.DR.0, 259CFR.SA.1, 71ZJ.SA.0, MPT1RCP



IDEAL-TEK CUTTERS & PLIERS

High quality ball bearing steel

- 45-48 Rockwell Hardness (HRC) for pliers
- 67 Rockwell Hardness (HRC) for cutters

Pyrometer controlled inductive hardening

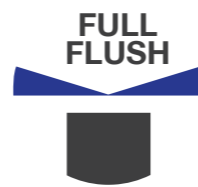
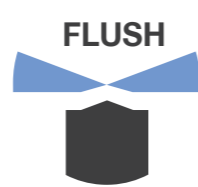
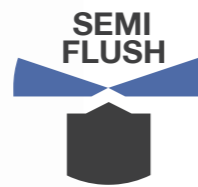
Superior no-scratch/antiglare satin finish

For every single production lot Ideal-tek performs metallographic and hardness profile analysis.

Unique serial numbers are assigned to each item for comprehensive lot tracing.



Cutting Blades



Ideal-tek high-precision cutters combine superior cutting quality and durability with unique design and ergonomics, resulting from careful attention to detail at every stage of the manufacturing process.

The increased usability depends on the non-slip rubber handle surface, which provides the operator with a better grip and a more pleasant feeling. The Bi-component ergonomic handles with rounded surface support a more natural thumb position, offering superior comfort during production and repair of electronic devices.

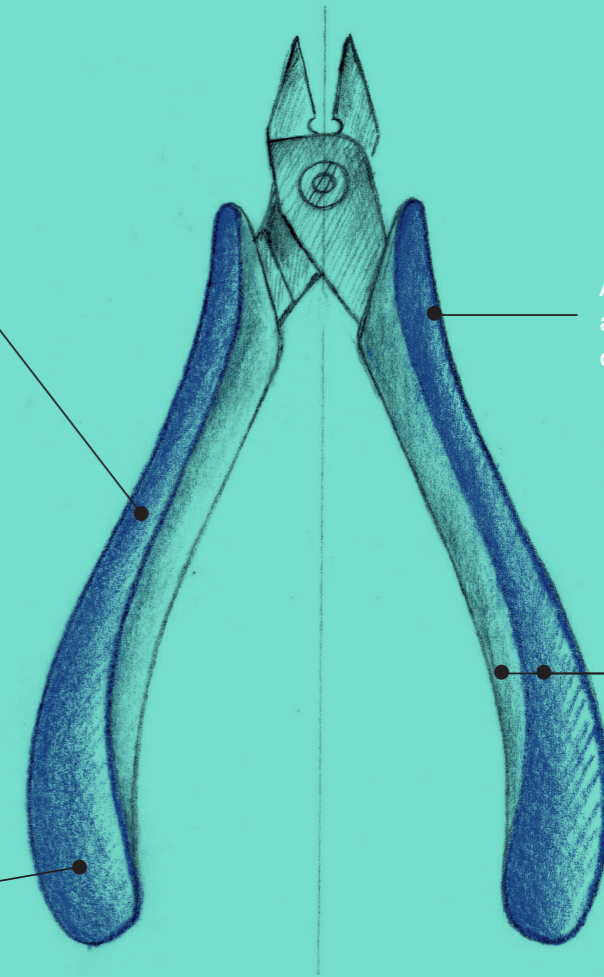
High quality ball bearing steel, double-leaf stainless steel springs, hardened alloy steel nuts, perfect symmetry and fine-pitched screw ensure perfect joint adjustment and exceptional cutting performance.

Anti-slip rubber surface provides a better grip and a more pleasant feel

A perfect thumb position is achieved by re-shaping the outside of the handle

Bi-component ESD-safe ergonomic handles with a soft comfortable gripping surface

Rounded handle surface for maximum operator comfort



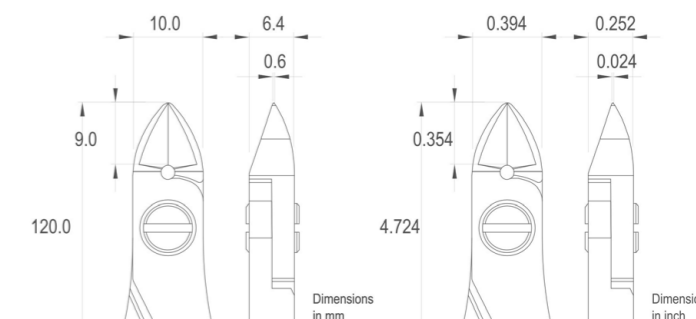


HIGH PRECISION CUTTERS

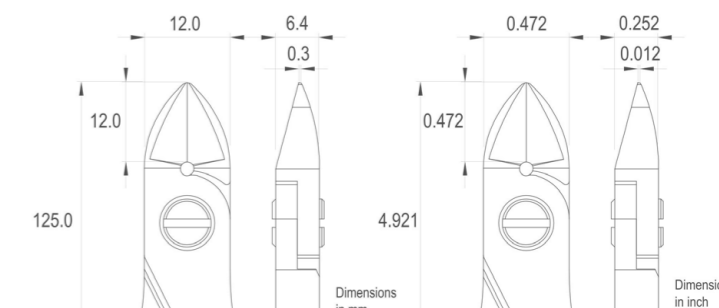


HIGH PRECISION

CUTTERS | BUILT TOUGH FOR ACCURATE WORK



Part Number	Head Shape	Head Size	Head Width	Cutting Edge	Cutting Capacity	OAL	ESD
ES5140.CR.BG	Oval	Small	10 mm 0.39"	Semi Flush	0.2-1.2 mm 32-17 AWG	120 mm 4.72"	yes
ES5141.CR.BG	Oval	Small	10 mm 0.39"	Flush	0.1-1.2 mm 38-17 AWG	120 mm 4.72"	yes
ES5142.CR.BG	Oval	Small	10 mm 0.39"	Full-Flush	0.1-1.0 mm 38-18 AWG	120 mm 4.72"	yes

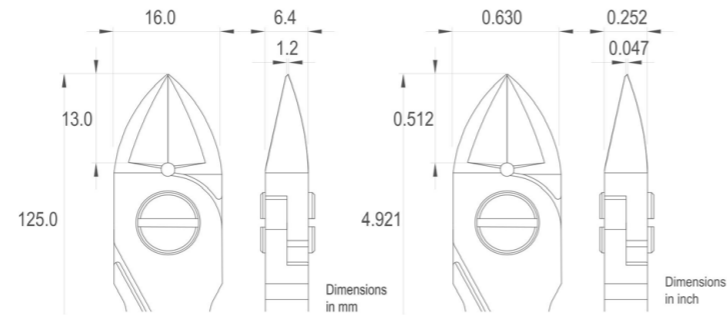


Part Number	Head Shape	Head Size	Head Width	Cutting Edge	Cutting Capacity	OAL	ESD
ES5150.CR.BG	Oval	Large	12 mm 0.47"	Semi-Flush	0.3-1.6 mm 29-14 AWG	125 mm 4.92"	yes
ES5151.CR.BG	Oval	Large	12 mm 0.47"	Flush	0.2-1.6 mm 32-14 AWG	125 mm 4.92"	yes
ES5152.CR.BG	Oval	Large	12 mm 0.47"	Full-Flush	0.2-1.2 mm 32-17 AWG	125 mm 4.92"	yes

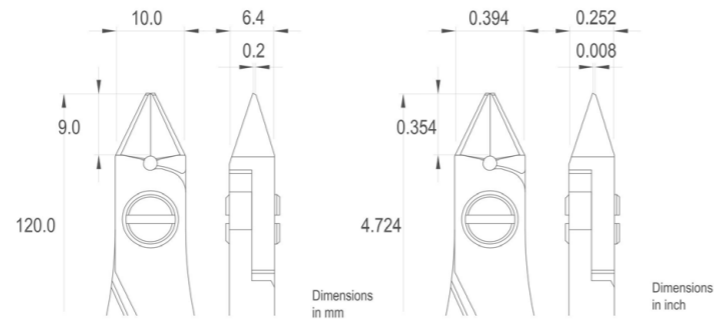
High Precision cutters are manufactured from high quality ball bearing steel (67 HRC). Features include superior no-scratch/anti-glare satin finish; 2-Component ESD-safe Ergonomic handles with a comfortable gripping surface.



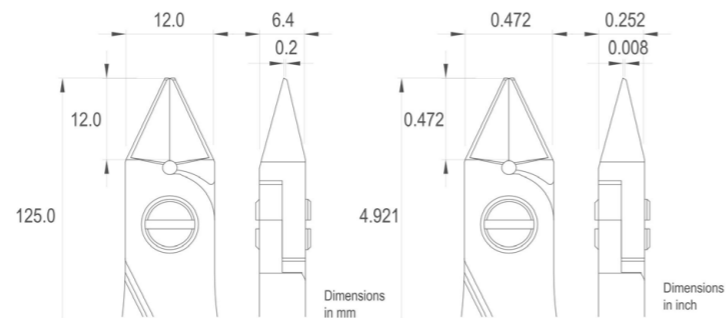
HIGH PRECISION CUTTERS



Part Number	Head Shape	Head Size	Head Width	Cutting Edge	Cutting Capacity	OAL	ESD
ES5160L.CR.BGS	Oval	Extra-Large	16 mm 0.63"	Semi-Flush	0.5-3.0 mm 24-9 AWG	125 mm 4.92"	yes
ES5161L.CR.BGS	Oval	Extra Large	16 mm 0.63"	Flush	0.4-2.5 mm 26-10 AWG	125 mm 4.92"	yes
ES5162L.CR.BGS	Oval	Extra Large	16 mm 0.63"	Full-Flush	0.4-2.5 mm 26-10 AWG	125 mm 4.92"	yes



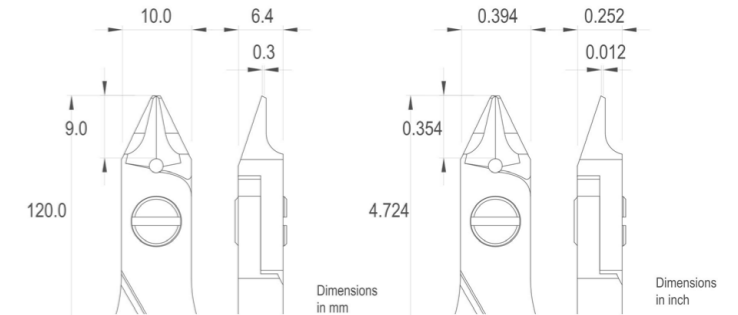
Part Number	Head Shape	Head Size	Head Width	Cutting Edge	Cutting Capacity	OAL	ESD
ES5340.CR.BG	Tapered	Small	10 mm 0.39"	Semi-Flush	0.2-1.2 mm 32-17 AWG	120 mm 4.72"	yes
ES5341.CR.BG	Tapered	Small	10 mm 0.39"	Flush	0.1-1.2 mm 38-17 AWG	120 mm 4.72"	yes
ES5342.CR.BG	Tapered	Small	10 mm 0.39"	Full-Flush	0.1-1.0 mm 38-18 AWG	120 mm 4.72"	yes



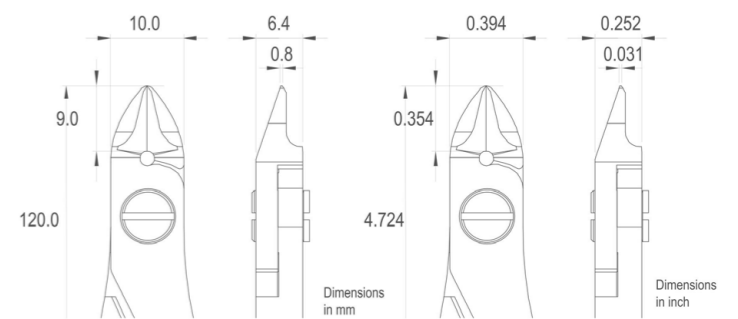
Part Number	Head Shape	Head Size	Head Width	Cutting Edge	Cutting Capacity	OAL	ESD
ES5350.CR.BG	Tapered	Large	12 mm 0.47"	Semi-Flush	0.3-1.6 mm 29-14 AWG	125 mm 4.92"	yes
ES5351.CR.BG	Tapered	Large	12 mm 0.47"	Flush	0.2-1.6 mm 32-14 AWG	125 mm 4.92"	yes
ES5352.CR.BG	Tapered	Large	12 mm 0.47"	Full-Flush	0.2-1.2 mm 32-17 AWG	125 mm 4.92"	yes



HIGH PRECISION CUTTERS



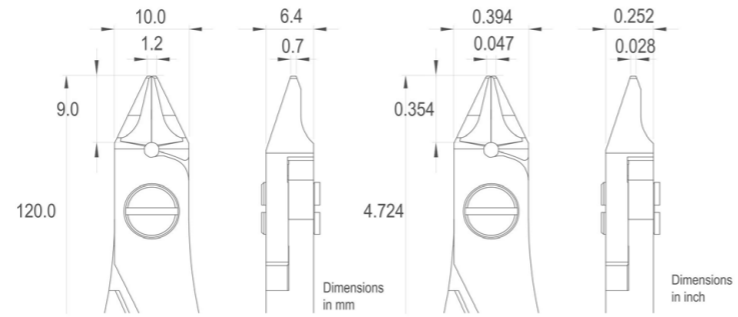
Part Number	Head Shape	Head Size	Head Width	Cutting Edge	Cutting Capacity	OAL	ESD
ES5540.CR.BG	Tapered & Relieved	Small	10 mm 0.39"	Semi-Flush	0.2-1.2 mm 32-17 AWG	120 mm 4.72"	yes
ES5541.CR.BG	Tapered & Relieved	Small	10 mm 0.39"	Flush	0.1-1.2 mm 38-17 AWG	120 mm 4.72"	yes
ES5542.CR.BG	Tapered & Relieved	Small	10 mm 0.39"	Full-Flush	0.1-0.8 mm 38-20 AWG	120 mm 4.72"	yes



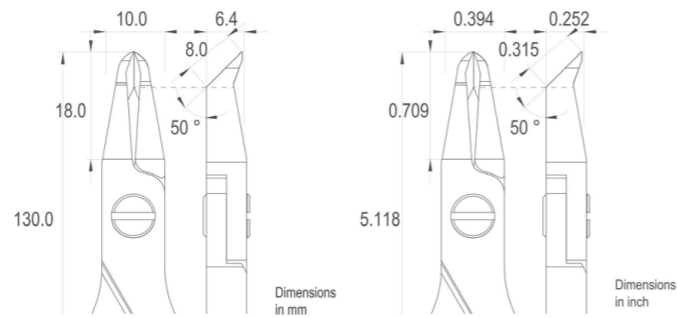
Part Number	Head Shape	Head Size	Head Width	Cutting Edge	Cutting Capacity	OAL	ESD
ES5441M.CR.BGO	Oval & Relieved	Small	10 mm 0.39"	Flush	0.1 mm 38 AWG	120 mm 4.72"	yes



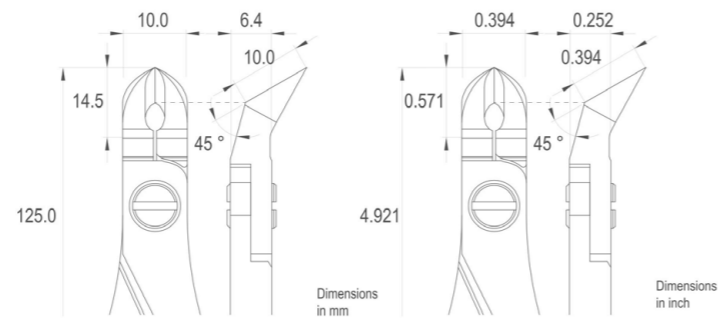
HIGH PRECISION CUTTERS



Part Number	Head Shape	Head Size	Head Width	Cutting Edge	Cutting Capacity	OAL	ESD
ES5542M.CR.BGO	Tapered & Relieved	Small	10 mm 0.39"	Full-Flush	0.1-0.9 mm 38-19 AWG	120 mm 4.72"	yes



Part Number	Head Shape	Head Size	Head Width	Cutting Edge	Cutting Capacity	OAL	ESD
ES5247.CR.BG	Oblique	Small	10 mm 0.39"	Full-Flush	0.1-1.2 mm 38-17 AWG	130 mm 5.12"	yes



Part Number	Head Shape	Head Size	Head Width	Cutting Edge	Cutting Capacity	OAL	ESD
ES5250.CR.BG	Oblique	Small	10 mm 0.39"	Full-Flush	0.2-1.2 mm 32-17 AWG	125 mm 4.92"	yes

HIGH PRECISION CUTTERS



Part Number	Head Shape	Head Size	Head Width	Cutting Edge	Cutting Capacity	OAL	ESD
KSPRING	-	-	-	-	-	28.5 mm 1.12"	no
KSPRING-S	-	-	-	-	-	29 mm 1.14"	no

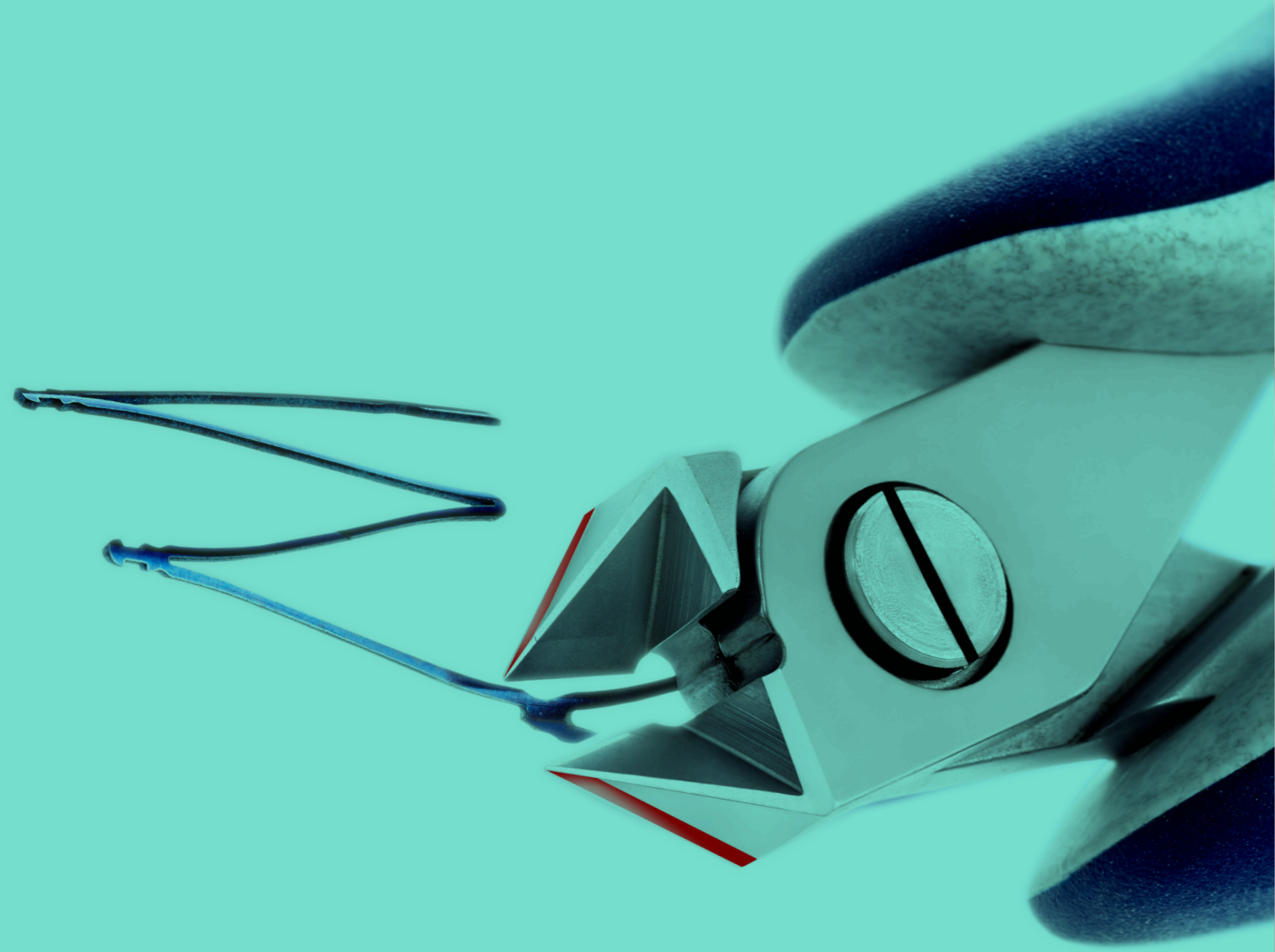


Part Number	Head Shape	Head Size	Head Width	Cutting Edge	Cutting Capacity	OAL	ESD
WLC100	-	Small	-	-	-	23 mm 0.91"	no
WLC125	-	Large	-	-	-	24 mm 0.94"	no



Ideal-tek Tungsten Carbide Cutters are specially designed for cutting hard metals. Hard wire cutters can be used on single or multiple filars and for lateral or internal cuts. Typical applications include cutting stents, braided mesh, catheters and guide wires in medical device manufacturing.

To enhance tool life, we have added an ANTI-SHOCK system set screw that secures one blade against the other ensuring a flush cut to a given standoff while preventing the blades from colliding or overlapping.



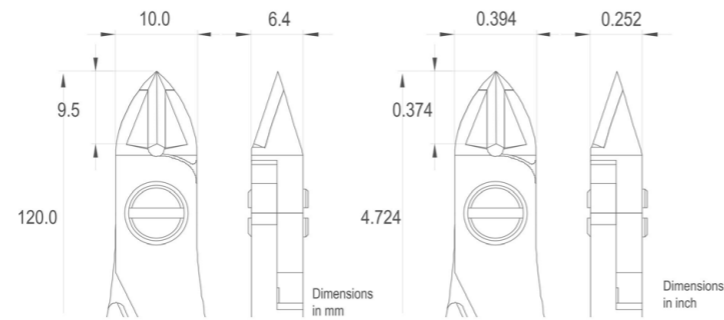
TUNGSTEN CARBIDE CUTTERS



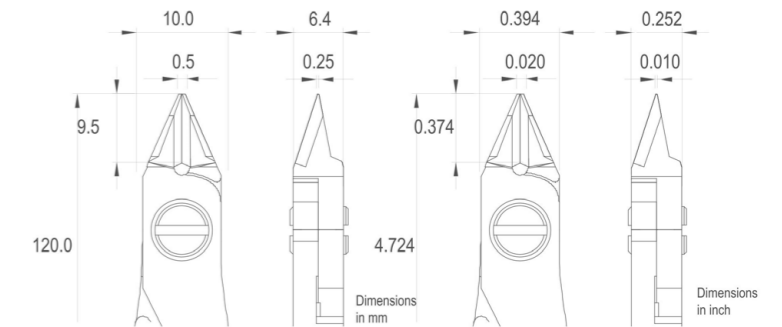
Tungsten carbide cutters meet the most challenging demands of the Medical Device market. Made of high quality ball bearing steel, they feature Tungsten carbide inserts (81 HRC) that allow to cut hard wires preventing blade damaging.

TUNGSTEN CARBIDE

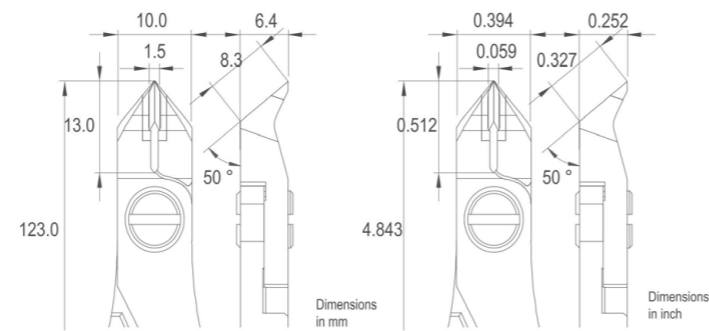
CUTTERS | BUILT TOUGH FOR ACCURATE WORK



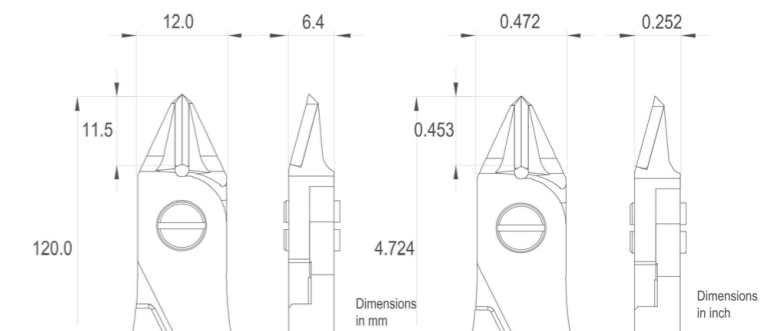
Part Number	Head Shape	Head Size	Head Width	Cutting Edge	Cutting Capacity	OAL	ESD
ES141TX.CR.BGO	Oval	Small	10 mm 0.39"	Flush	0.1 mm 38 AWG	120 mm 4.72"	yes



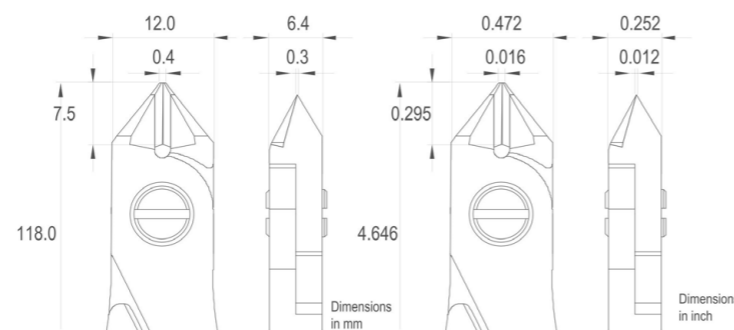
Part Number	Head Shape	Head Size	Head Width	Cutting Edge	Cutting Capacity	OAL	ESD
ES542TX.CR.BGO	Tapered & Relieved	Small	10 mm 0.39"	Full-Flush	0.03-0.1 mm 48-38 AWG	120 mm 4.72"	yes



Part Number	Head Shape	Head Size	Head Width	Cutting Edge	Cutting Capacity	OAL	ESD
ES248TX.CR.BGO	Tapered	Small	10 mm 0.39"	Full-Flush	1.0 mm 18 AWG	123 mm 4.84"	yes



Part Number	Head Shape	Head Size	Head Width	Cutting Edge	Cutting Capacity	OAL	ESD
ES552GTX.CR.BGO	Tapered and Relieved	Large	12 mm 0.47"	Full Flush	0.1 mm 38	120 mm 4.72"	yes



Part Number	Head Shape	Head Size	Head Width	Cutting Edge	Cutting Capacity	OAL	ESD
ES351TX.CR.BGO	Tapered	Large	12 mm 0.47"	Flush	0.1-0.6 mm 38-23 AWG	118 mm 4.65"	yes





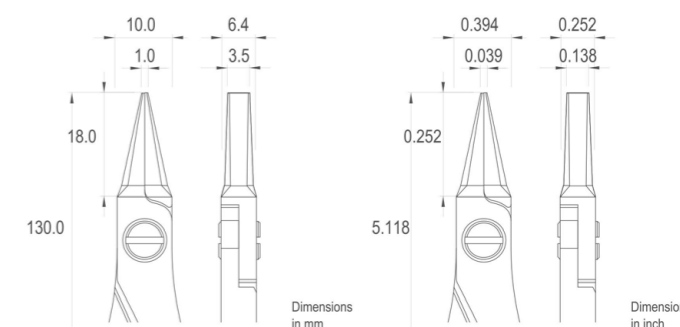
HIGH PRECISION PLIERS



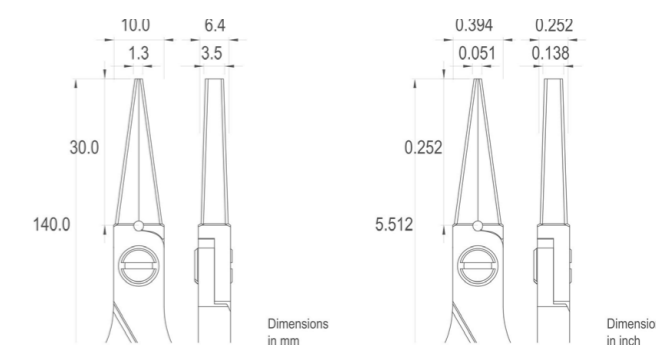
Pliers are essential tools for gripping, bending, and shaping metal and wires. Ideal-tek pliers are available with smooth or serrated jaws. Smooth jaws ensure that your work will not be nicked or marked by the pliers. Serrated jaws will give you a much firmer grip.

HIGH PRECISION

PLIERS | BUILT TOUGH FOR ACCURATE WORK



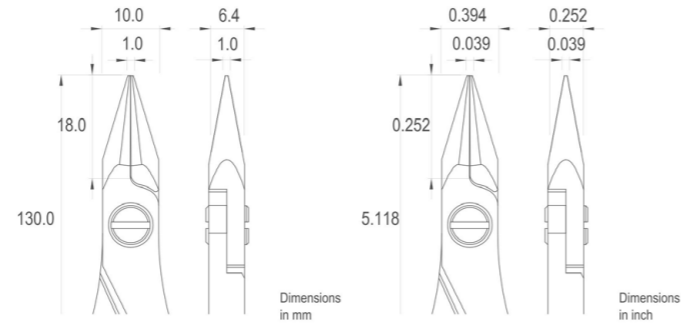
Part Number	Head Shape	Type	Head Width	Jaw	OAL	ESD
ES6011.CR.BG	Flat Nose	Short	10 mm 0.39"	Smooth	130 mm 5.12"	yes
ES6012.CR.BG	Flat Nose	Short	10 mm 0.39"	Serrated	130 mm 5.12"	yes



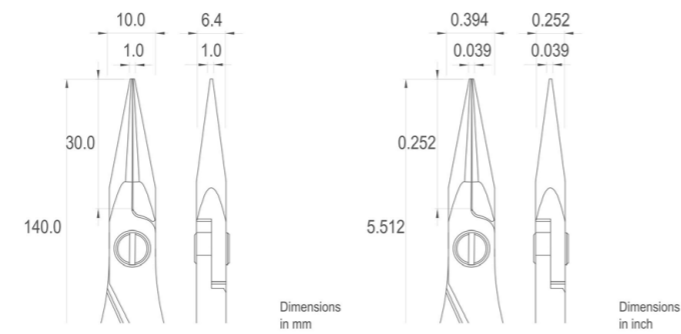
Part Number	Head Shape	Type	Head Width	Jaw	OAL	ESD
ES6013.CR.BG	Flat Nose	Long	10 mm 0.39"	Smooth	140 mm 5.51"	yes
ES6014.CR.BG	Flat Nose	Long	10 mm 0.39"	Serrated	140 mm 5.51"	yes



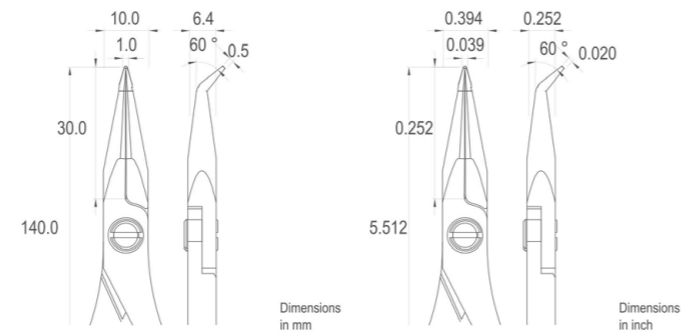
HIGH PRECISION PLIERS



Part Number	Head Shape	Type	Head Width	Jaw	OAL	ESD
ES6021.CR.BG	Snipe Nose	Short	10 mm 0.39"	Smooth	130 mm 5.12"	yes
ES6022.CR.BG	Snipe Nose	Short	10 mm 0.39"	Serrated	130 mm 5.12"	yes



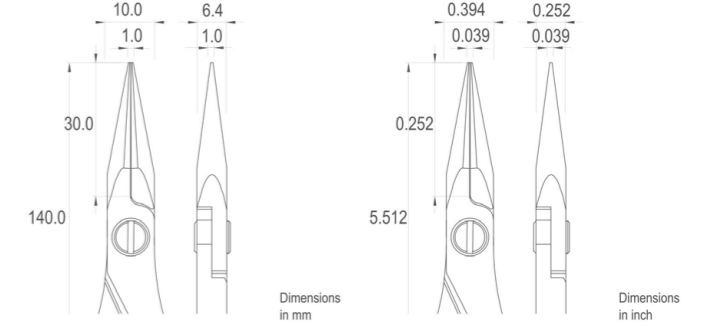
Part Number	Head Shape	Type	Head Width	Jaw	OAL	ESD
ES6023.CR.BG	Snipe Nose	Long	10 mm 0.39"	Smooth	140 mm 5.51"	yes
ES6023S.CR.BG	Snipe Nose	Strong	10 mm 0.39"	Smooth	135 mm 5.31"	yes



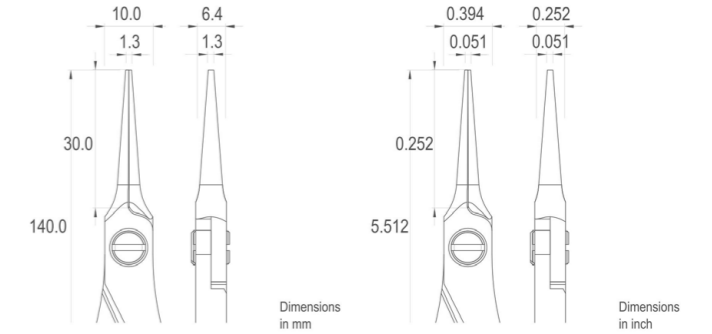
Part Number	Head Shape	Type	Head Width	Jaw	OAL	ESD
ES6023B.CR.BG	Bent Nose	Bent	10 mm 0.39"	Smooth	140 mm 5.51"	yes



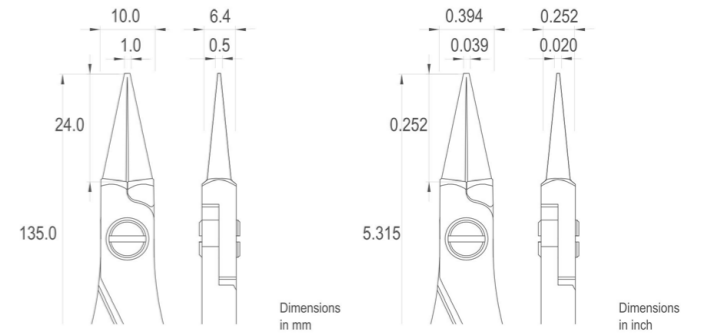
HIGH PRECISION PLIERS



Part Number	Head Shape	Type	Head Width	Jaw	OAL	ESD
ES6024.CR.BG	Snipe Nose	Long	10 mm 0.39"	Serrated	140 mm 5.51"	yes
ES6024S.CR.BG	Snipe Nose	Strong	10 mm 0.39"	Serrated	135 mm 5.31"	yes



Part Number	Head Shape	Type	Head Width	Jaw	OAL	ESD
ES6025.CR.BG	Needle Nose	Long	10 mm 0.39"	Smooth	140 mm 5.51"	yes



Part Number	Head Shape	Type	Head Width	Jaw	OAL	ESD
ES6041.CR.BG	Round Nose	Short	10 mm 0.39"	Smooth	135 mm 5.31"	yes





HAIRSPRING CUTTERS



Hairspring cutters are tough enough for difficult jobs, ideal for working in confined spaces and for cutting hairsprings and soft metals.

HAIRSPRING

CUTTERS | BUILT TOUGH FOR ACCURATE WORK



Part Number	Head Shape	Head Size	Head Width	Cutting Edge	OAL	ESD
16.CR.BL	End	Large	11.5 mm 0.45"	Full-Flush	115 mm 4.53"	no



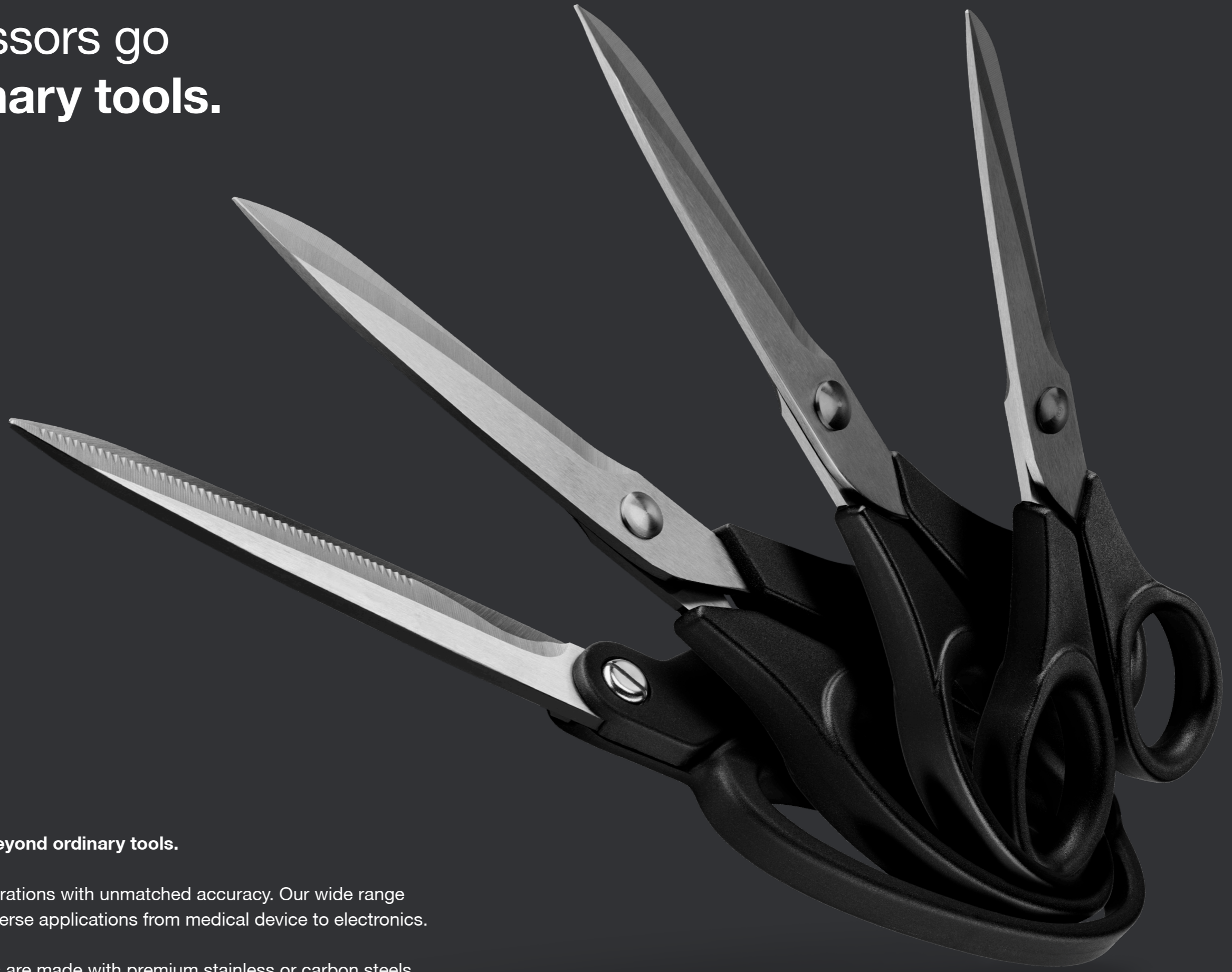
Part Number	Head Shape	Head Size	Head Width	Cutting Edge	OAL	ESD
17.CR.BL	Oblique End	Large	11.5 mm 0.45"	Full-Flush	120 mm 4.72"	no
17C.CR.BL	Oblique End	Large	11.5 mm 0.45"	Full-Flush	110 mm 4.33"	no



Part Number	Head Shape	Head Size	Head Width	Cutting Edge	OAL	ESD
20.CR.BL	End	Large	11.5 mm 0.45"	Full-Flush	115 mm 4.53"	no



Ideal-tek Precision Scissors go beyond ordinary tools.



Ideal-tek Precision Scissors go beyond ordinary tools.

They excel at highly specialized operations with unmatched accuracy. Our wide range of shapes and features caters to diverse applications from medical device to electronics.

Crafted for precision, these scissors are made with premium stainless or carbon steels to offer exceptional, consistent performances and comfort through time.

Trust our heritage of excellence and innovation.



HIGH PRECISION SCISSORS



Made of Stainless Steel AISI420 and available in different shapes and sizes, used where strength and hardness are of primary concern and where the environment is relatively mild from a corrosive standpoint.



HIGH PRECISION

SCISSORS | PRECISION IN EVERY CUT



Part Number	Blade Description	OAL	Body Material	Body Finishing	ESD
361	curved, extra fine	90 mm 3.54"	stainless steel	sandblasted	no



Part Number	Blade Description	OAL	Body Material	Body Finishing	ESD
361S	straight, extra fine	90 mm 3.54"	stainless steel	sandblasted	no



Part Number	Blade Description	OAL	Body Material	Body Finishing	ESD
362	curved, extra fine	90 mm 3.54"	stainless steel	sandblasted	no



Part Number	Blade Description	OAL	Body Material	Body Finishing	ESD
362S	straight, extra fine	90 mm 3.54"	stainless steel	sandblasted	no

HIGH PRECISION SCISSORS



Part Number	Blade Description	OAL	Body Material	Body Finishing	ESD
363	curved, round	90 mm 3.54"	stainless steel	sandblasted	no



Part Number	Blade Description	OAL	Body Material	Body Finishing	ESD
364	curved, extra fine	90 mm 3.54"	stainless steel	sandblasted	no



Part Number	Blade Description	OAL	Body Material	Body Finishing	ESD
365	curved, round	90 mm 3.54"	stainless steel	sandblasted	no



ULTRACUT SCISSORS

ULTRACUT SCISSORS | CUTTING EXCELLENCE



UltraCut scissors are autoclavable countless times and feature long-lasting sharpness and cutting performances. For demanding application to replace tungsten carbide blade scissors while improving performance and durability.



Part Number	Blade Description	OAL	Body Material	Body Finishing	ESD
NEW 384	straight, fine, sharp, micro-serrated	90 mm 3.54"	stainless steel	mirror polished	no



Part Number	Blade Description	OAL	Body Material	Body Finishing	ESD
NEW 384NS	straight, fine, sharp	90 mm 3.54"	stainless steel	mirror polished	no



Part Number	Blade Description	OAL	Body Material	Body Finishing	ESD
NEW 394	straight, fine, sharp, micro-serrated	112 mm 4.41"	stainless steel	mirror polished	no



Part Number	Blade Description	OAL	Body Material	Body Finishing	ESD
NEW 394NS	straight, fine, sharp	112 mm 4.41"	stainless steel	mirror polished	no



MICRO SCISSORS



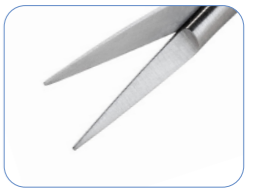
Micro Scissors compact size and slender profile allow for effortless maneuverability, ensuring you can navigate intricate areas with ease. With their short, fine blades, these scissors provide superior visibility and exceptional accuracy.

MICRO

SCISSORS | PRECISION IN TIGHT SPACES



Part Number	Blade Description	OAL	Body Material	Body Finishing	ESD
NEW 346AMS.B	straight, very fine	100 mm 3.94"	stainless steel	polished	no



Part Number	Blade Description	OAL	Body Material	Body Finishing	ESD
NEW 346MS.B	straight, very fine	120 mm 4.72"	stainless steel	polished	no



Part Number	Blade Description	OAL	Body Material	Body Finishing	ESD
NEW 366MS.B	straight, very fine	90 mm 3.54"	stainless steel	polished	no



PROCUT SCISSORS

PROCUT

SCISSORS | CRAFTED FOR PROFESSIONALS



Part Number	Blade Description	OAL	Body Material	Body Finishing	ESD
NEW 361-35.NP	curved, extra fine	90 mm 3.54"	carbon steel	nickel plated	no



Part Number	Blade Description	OAL	Body Material	Body Finishing	ESD
NEW 362S-35.NP	straight, extra fine	90 mm 3.54"	carbon steel	nickel plated	no
NEW 362S-40.NP	straight, extra fine	105 mm 4.13"	carbon steel	nickel plated	no



Part Number	Blade Description	OAL	Body Material	Body Finishing	ESD
NEW 372S-Y35.NP	straight, extra fine	90 mm 3.54"	carbon steel	nickel plated	no
NEW 372S-Y40.NP	straight, extra fine	100 mm 3.94"	carbon steel	nickel plated	no

For those professional users that need performing and long-lasting products with a cost-effective solution for a wide range of applications.





Part Number	Blade Description	OAL	Body Material	Body Finishing	ESD
NEW 372S-Y50.NP	straight, fine	130 mm 5.12"	carbon steel	nickel plated	no
NEW 372S-Y60.NP	straight, fine	155 mm 6.10"	carbon steel	nickel plated	no



Part Number	Blade Description	OAL	Body Material	Body Finishing	ESD
NEW 372S-YL40.NP	straight, extra fine	100 mm 3.94"	carbon steel	nickel plated	no



Part Number	Blade Description	OAL	Body Material	Body Finishing	ESD
NEW 375-40.NP	curved, short, strong	105 mm 4.13"	carbon steel	nickel plated	no



Part Number	Blade Description	OAL	Body Material	Body Finishing	ESD
NEW 375S-40.NP	straight, short, strong	105 mm 4.13"	carbon steel	nickel plated	no



Part Number	Blade Description	OAL	Body Material	Body Finishing	ESD
NEW 396N-50.NP	straight, strong, notch	125 mm 4.92"	carbon steel	nickel plated	no
NEW 396NMT-50.NP	straight, strong, micro-serrated with notch	125 mm 4.92"	carbon steel	nickel plated	no



EASYCUT SCISSORS



Designed for general-purpose and light-duty professional work, these no-frills scissors provide good performances at an affordable price point.

EASYCUT

SCISSORS | AFFORDABLE PRECISION CUTTING



Part Number	Blade Description	OAL	Body Material	Body Finishing	ESD
NEW 362S-40.B	straight, extra fine	100 mm 3.94"	stainless steel	polished	no



Part Number	Blade Description	OAL	Body Material	Body Finishing	ESD
NEW 362S-45.B	straight, extra fine	110 mm 4.33"	stainless steel	polished	no



Part Number	Blade Description	OAL	Body Material	Body Finishing	ESD
NEW 372S-Y40.B	straight, fine	100 mm 3.94"	stainless steel	polished	no





INDUSTRIAL SCISSORS

INDUSTRIAL SCISSORS | BUILT FOR HEAVY-DUTY TASKS



Part Number	Blade Description	OAL	Body Material	Handle Grip	ESD
NEW 336-50.BK	straight, sharp, strong	135 mm 5.31"	stainless steel	nylon	no
NEW 336-60.BK	straight, sharp, strong	155 mm 6.10"	stainless steel	nylon	no



Part Number	Blade Description	OAL	Body Material	Handle Grip	ESD
NEW 336-75.BK	straight, sharp, strong	190 mm 7.48"	stainless steel	nylon	no



Part Number	Blade Description	OAL	Body Material	Handle Grip	ESD
NEW 336-85.BK	straight, sharp, strong	215 mm 8.46"	stainless steel	nylon	no

Constructed with fine steel and hardened using state-of-the-art technologies, Industrial Scissors are built to withstand the toughest challenges. They undergo meticulous hand-finishing by skilled artisans, ensuring exceptional quality and performance.





Part Number	Blade Description	OAL	Body Material	Handle Grip	ESD
-------------	-------------------	-----	---------------	-------------	-----

NEW 336-98.BK.W straight, sharp, strong 250 mm 9.84" stainless steel TPR no



Part Number	Blade Description	OAL	Body Material	Handle Grip	ESD
-------------	-------------------	-----	---------------	-------------	-----

NEW 336PP-50.BK straight, pointed 135 mm 5.31" stainless steel nylon no



Part Number	Blade Description	OAL	Body Material	Handle Grip	ESD
-------------	-------------------	-----	---------------	-------------	-----

NEW 397.OR.W straight, fine, sharp 105 mm 4.13" stainless steel ABS no



Part Number	Blade Description	OAL	Body Material	Handle Grip	ESD
-------------	-------------------	-----	---------------	-------------	-----

NEW 398-60.BE.W straight, pointed 160 mm 6.30" stainless steel TPR no



Part Number	Blade Description	OAL	Body Material	Handle Grip	ESD
-------------	-------------------	-----	---------------	-------------	-----

NEW 398-70.BE.W straight, pointed, Single serrated blade area 180 mm 7.09" stainless steel TPR no





SMARTCUT SCISSORS



Designed for general-purpose and light-duty professional work, SmartCut Scissors are the ideal choice for those seeking quality on a budget.

SMARTCUT SCISSORS | SIMPLY COMFORTABLE



Part Number	Blade Description	OAL	Body Material	Handle Grip	ESD
NEW 335MT-55.GB.H	straight, fine, pointed, micro-serrated	140 mm 5.51"	stainless steel	PP + TPR	no
NEW 335MT-65.GB.H	straight, fine, pointed, micro-serrated	170 mm 6.69"	stainless steel	PP + TPR	no



Part Number	Blade Description	OAL	Body Material	Handle Grip	ESD
NEW 335MT-75.GB.H	straight, strong, micro-serrated	200 mm 7.87"	stainless steel	PP + TPR	no
NEW 335MT-85.GB.H	straight, strong, micro-serrated	215 mm 8.46"	stainless steel	PP + TPR	no





MULTI-PURPOSE SCISSORS



Multi-purpose Scissors are designed for optimal durability, ensuring long-lasting performance that meets the demands of professional use.

MULTI-PURPOSE SCISSORS | FOR SPECIFIC CUTTING NEEDS

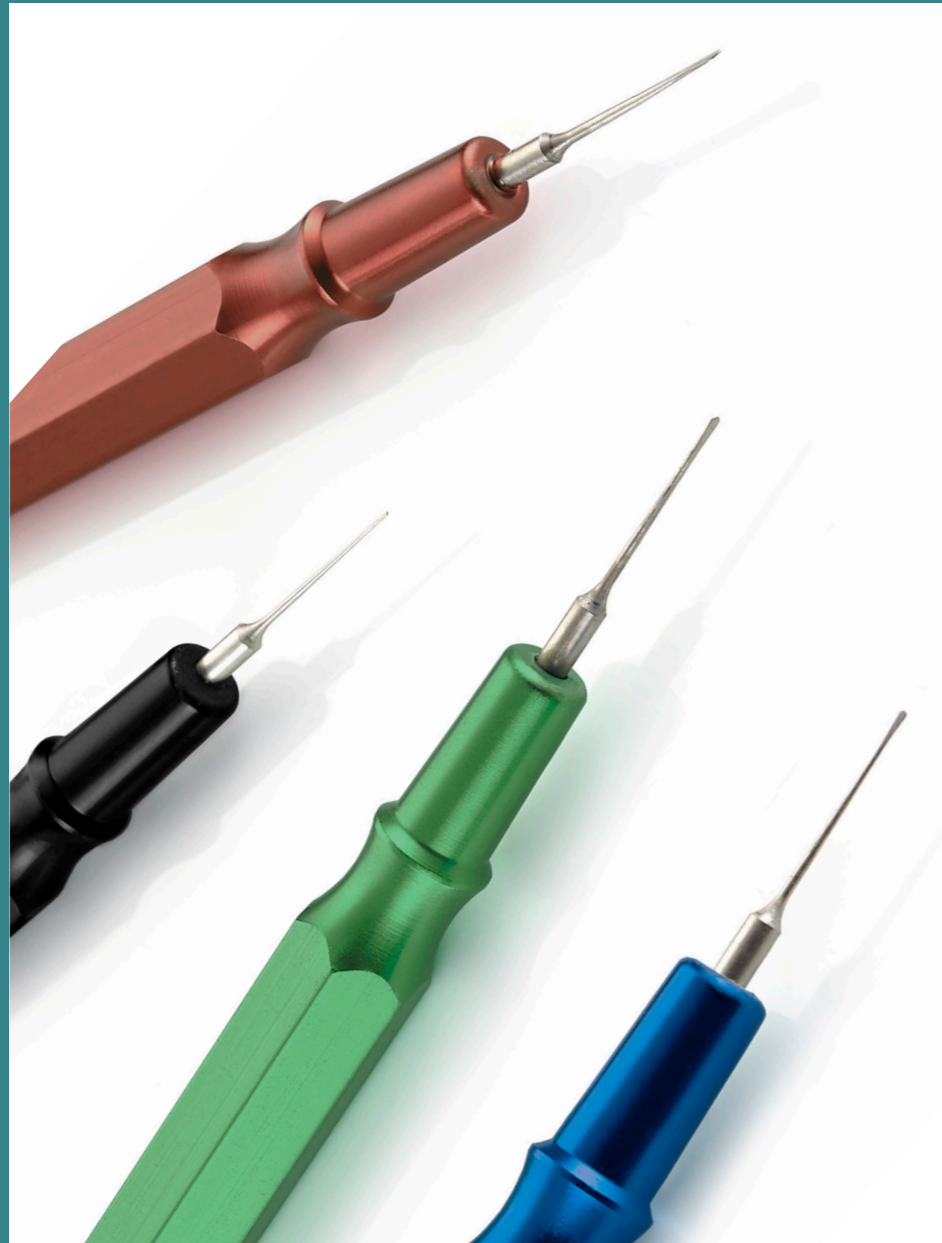


Part Number	Blade Description	OAL	Body Material	Handle Grip	ESD
NEW 380.BB.W	straight, sharp, strong, sawtoothed	145 mm 5.71"	stainless steel	PP + TPR	no



Part Number	Blade Description	OAL	Body Material	Handle Grip	ESD
399K.AN	straight, thick, strong, sawtoothed	138 mm 5.43"	100Cr2	nylon + TPR	no

MICROSPATULAS



Ideal for working with small parts, ESD safe, Ideal-tek oilers are highly precise and reliable over time. The different shapes and dimensions of the tips and the coloured handles allow a rapid identification of the instrument needed during assembly or repairing.

MICRO SPATULAS | EXTREMELY PRECISE



Part Number	Description	Tip Thickness	OAL	Tip material	Body Material	ESD
BLACKESD	black oiler	0.2 mm 0.008"	68 mm 2.68"	Law 100 Pb	carbon fiber	yes



Part Number	Description	Tip Thickness	OAL	Tip material	Body Material	ESD
BLUEESD	blue oiler	0.3 mm 0.014"	68 mm 2.68"	Law 100 Pb	PA6/CF30	yes



Part Number	Description	Tip Thickness	OAL	Tip material	Body Material	ESD
GREENESD	green oiler	0.5 mm 0.022"	68 mm 2.68"	Law 100 Pb	PA6/CF30	yes





Part Number	Description	Tip Thickness		OAL		Tip material	Body Material	ESD
REDES	red oiler	0.7 mm	0.025"	68 mm	2.68"	Law 100 Pb	PA6/CF30	yes



Part Number	Description	Tip Thickness		OAL		Tip material	Body Material	ESD
BRBGESD	Kit of 4 colored oilers	-	-	74 mm	2.91"	Law 100 Pb	PA6/CF30	yes

PROBES AND SPATULAS

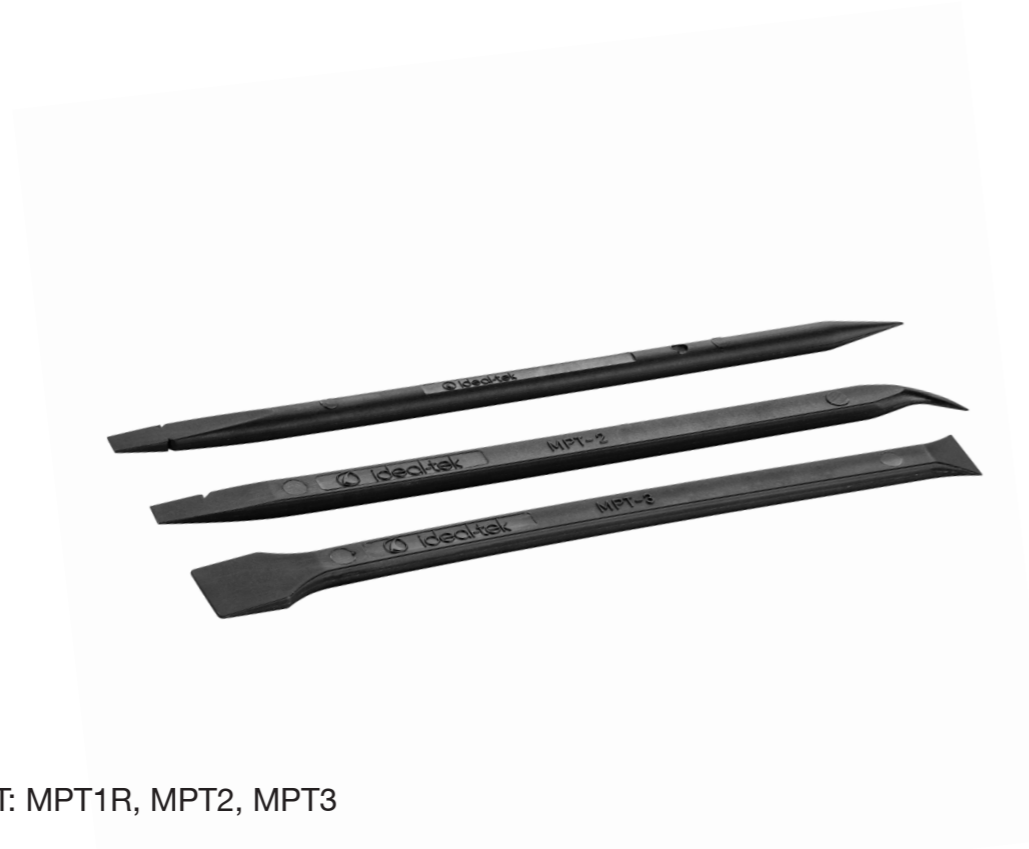


Probes and Spatulas are general tools that find different applications. They are used to scrape, transfer or apply powders, to glue chemicals or treatments, to position components and many other applications.



ESD PLASTIC

PROBES AND SPATULAS | THE RIGHT HAND FOR EVERY APPLICATIONS



MPT123CP

Kit of 3 **Carbon PEEK** MPT: MPT1R, MPT2, MPT3

Part Number	Tip Description	OAL	Body Material	ESD
MPT1RCP	rounded body, fine tip cone-shaped and flat strong tip chisel-shape	150 mm 5.91"	Carbon PEEK	Yes
MPT2CP	squared body, curved fine tip and flat strong tip chisel-shape	150 mm 5.91"	Carbon PEEK	Yes
MPT3CP	squared body, flat fine sharp tip and flat large fine tip chisel-shape both	140 mm 5.51"	Carbon PEEK	Yes



MPT123SV

Kit of 3 **PVDF** MPT: MPT1R, MPT2, MPT3

Part Number	Tip Description	OAL	Body Material	ESD
MPT1RSV	rounded body, fine tip cone-shaped and flat strong tip chisel-shape	150 mm 5.91"	PVDF	Yes
MPT2SV	squared body, curved fine tip and flat strong tip chisel-shape	150 mm 5.91"	PVDF	Yes
MPT3SV	squared body, flat fine sharp tip and flat large fine tip chisel-shape both	140 mm 5.51"	PVDF	Yes



STAINLESS STEEL

PROBES | THE RIGHT HAND FOR EVERY APPLICATIONS



K4MPTSP

Kit of 4 Stainless Steel probes:
MPTSP1, MPTSP2, MPTSP3, MPTSP4

Part Number	Tip Description	OAL	Body Material	ESD
MPTSP1	straight needle tip	155 mm 6.10"	Stainless steel	No
MPTSP2	angled needle tip	155 mm 6.10"	Stainless steel	No
MPTSP3	single bend tip	155 mm 6.10"	Stainless steel	No
MPTSP4	hook tip	155 mm 6.10"	Stainless steel	No



K6MPTSP

Kit of 6 Stainless Steel probes: MPTSP1, MPTSP2,
MPTSP3, MPTSP4, MPTSP5, MPTSP6

Part Number	Tip Description	OAL	Body Material	ESD
MPTSP1	straight needle tip	155 mm 6.10"	Stainless steel	No
MPTSP2	angled needle tip	155 mm 6.10"	Stainless steel	No
MPTSP3	single bend tip	155 mm 6.10"	Stainless steel	No
MPTSP4	hook tip	155 mm 6.10"	Stainless steel	No
MPTSP5	triple bend tip	155 mm 6.10"	Stainless steel	No
MPTSP6	flat tip	155 mm 6.10"	Stainless steel	No



STAINLESS STEEL

SPATULAS | THE RIGHT HAND FOR EVERY APPLICATIONS

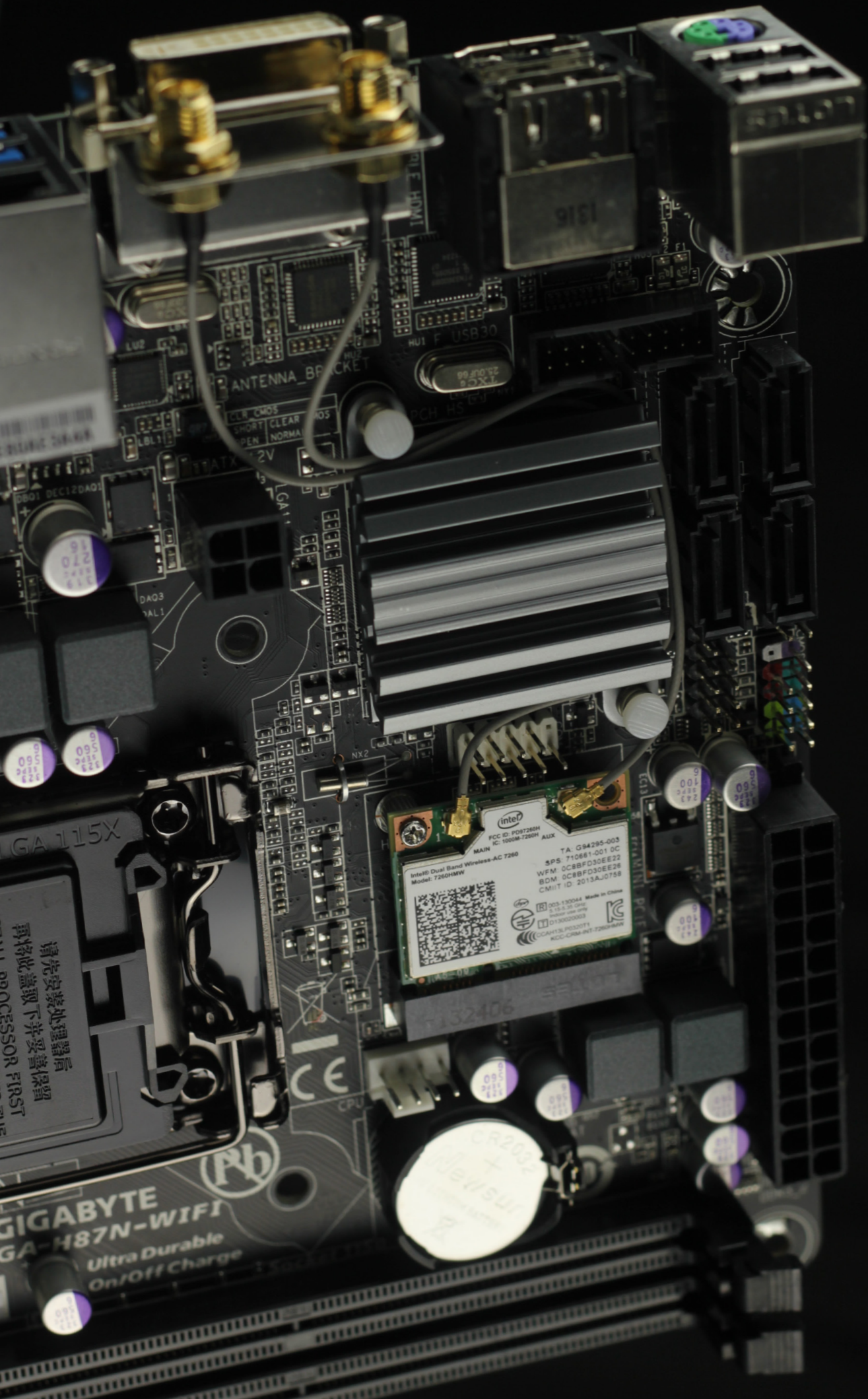


K4MPTSS

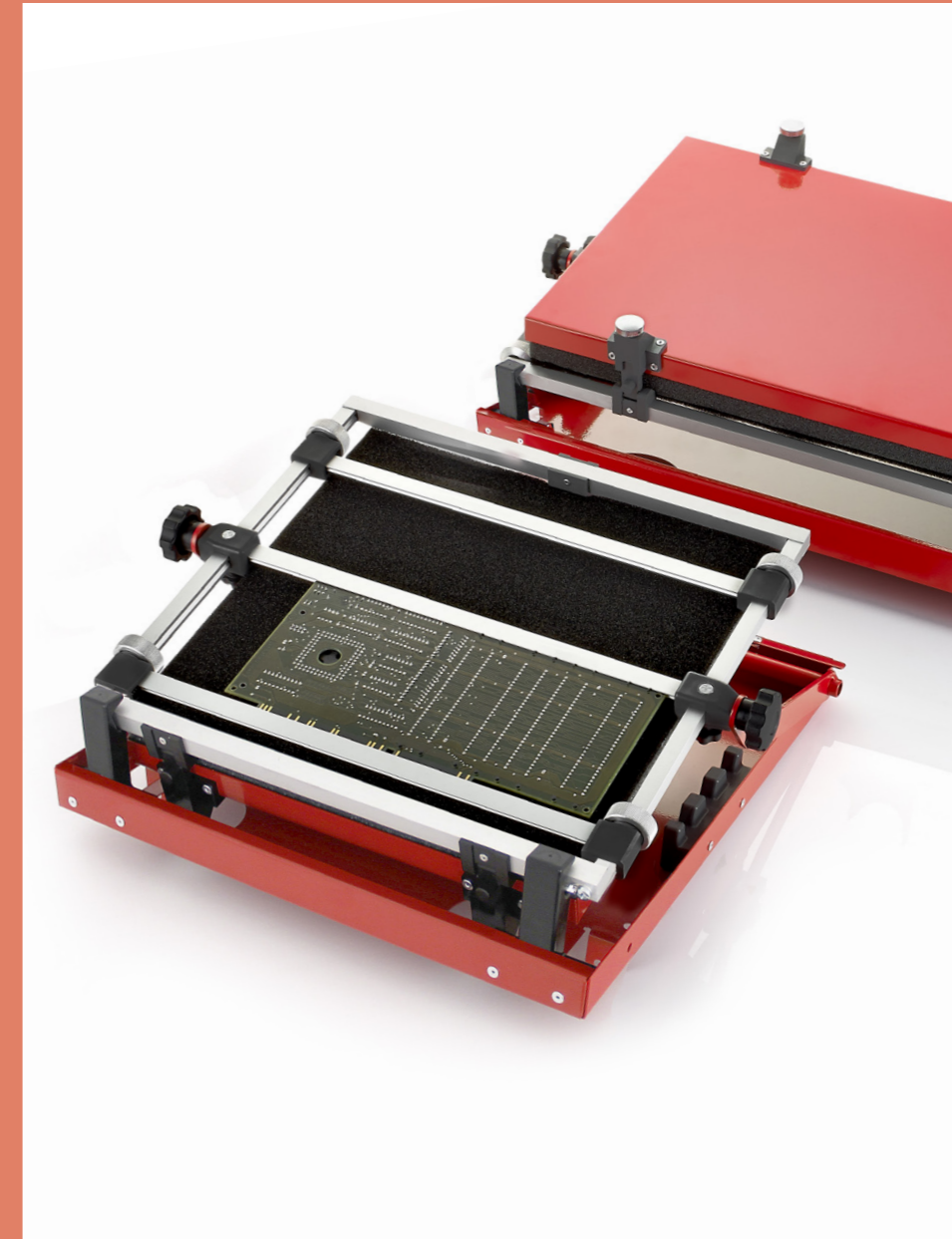
Kit of 4 Stainless Steel probes spatulas:
MPTSS1, MPTSS2, MPTSS3, MPTSS4

Part Number	Tip Description	OAL	Body Material	ESD
MPTSS1	pointed tip arrow-shaped and flat long curved with a rounded tip	180 mm 7.09"	Stainless steel	No
MPTSS2	short rounded drop-shaped and large flat squared tip	175 mm 6.89"	Stainless steel	No
MPTSS3	short and flat with squared tip and long flat with rounded tip	165 mm 6.50"	Stainless steel	No
MPTSS4	long curved pointed tip with arrow-shaped and long curved with rounded tip	155 mm 6.10"	Stainless steel	No





PCB HOLDERS WORKBENCH ACCESSORIES



The ESD-safe circuit board holders PCSA family is the perfect support for the assembly and soldering/de-soldering processes of circuit boards, it can be easily assembled in different combinations.

PCB HOLDERS

WORKBENCH ACCESSORIES | THE PERFECT WORKMATE



Part Number	Description	Foam Dimension		ESD
PCSA-1N	ESD safe Printed circuit holder with Foam	280 mm x 220 mm	11.20" x 8.66"	yes
PCSA-2N	ESD safe Printed circuit holder with Foam	510 mm x 220 mm	20.08" x 8.66"	yes
PCSA-4N	ESD safe Printed circuit holder with Foam	510 mm x 350 mm	20.08" x 13.78"	yes

PCSA-1N



PCSA-2N



PCSA-4N



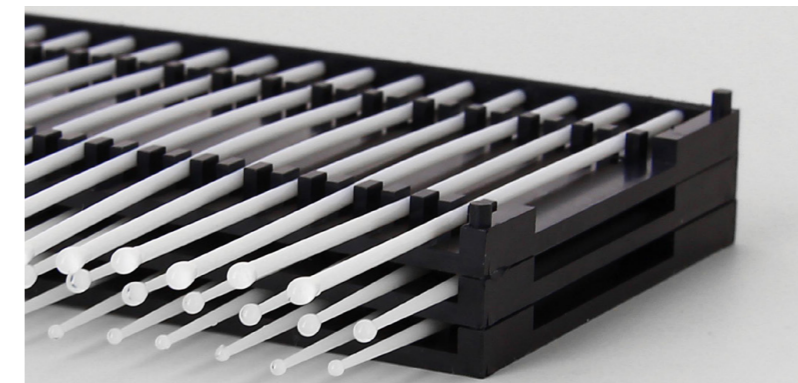
STICKY SWABS WORKBENCH ACCESSORIES

STICKY SWABS

WORKBENCH ACCESSORIES | ULTRA DELICATE CLEANING



Part Number	Description	Tip Dimension		OAL		Tip material	Body Material
IT01401/10	sticky swabs, 1mm head /10 swabs	1 mm	0.039"	70 mm	2.76"	PVAC	PVC
IT01402/10	sticky swabs, 2mm head /10 swabs	2 mm	0.079"	70 mm	2.76"	PVAC	PVC
IT01403/10	sticky swabs, 3mm head /10 swabs	3 mm	0.118"	70 mm	2.76"	PVAC	PVC
IT01401/25	sticky swabs, 1mm head /25 swabs	1 mm	0.039"	70 mm	2.76"	PVAC	PVC
IT01402/25	sticky swabs, 2mm head /25 swabs	2 mm	0.079"	70 mm	2.76"	PVAC	PVC
IT01403/25	sticky swabs, 3mm head /25 swabs	3 mm	0.118"	70 mm	2.76"	PVAC	PVC



Part Number	Description	Tip Dimension		OAL		Tip material	Body Material
IT0140123/75	sticky swabs kit - box of 75 swabs mixed	-	-	70 mm	2.76"	PVAC	PVC

Sticky Swabs safely remove miniature particulate from hard to reach areas. The soft, high absorbent head will not scratch or leave adhesive residue making it ideal for use in controlled environments.



VACUUM TOOLS WORKBENCH ACCESSORIES



Designed for the safe pick-up and positioning of SMD components during assembly, test and rework processes.

VACUUM TOOLS

WORKBENCH ACCESSORIES | SAFE PICK UP



Part Number	Description	OAL	ESD
P-830	manual vacuum pick-up	140 mm 5.51"	no



Part Number	Description	OAL	ESD
UVO0000000	ESD vacuum tool set to pick-up SMD components during assembly	152 mm 5.98"	yes

SOLVENT DISPENSERS WORKBENCH ACCESSORIES



Easy-to-use, clean and safe from contamination, solvent dispensers are suitable for most liquids such as degreasers, oils and solvents without risk of leakage, evaporation or contamination.

SOLVENT DISPENSERS

WORKBENCH ACCESSORIES | CONTAMINATION-FREE DISPENSING



Part Number	Description	Capacity	Anti-splash	OAL	Tip Material	Body Material	ESD
TSD12	fluid dispenser pink	120cc	no	85 mm 3.35"	stainless steel	HDPE	yes
TSD18	fluid dispenser pink	180cc	yes	105 mm 4.13"	stainless steel	HDPE	yes
TSD12AS	fluid dispenser pink	120cc	no	85 mm 3.35"	stainless steel	HDPE	yes
TSD18AS	fluid dispenser pink	180cc	yes	105 mm 4.13"	stainless steel	HDPE	yes



SMART TWEEZER TESTERS



Smart Tweezers™ measures electronic component's capacitance, resistance and inductance with high speed and precision by evaluating circuit impedance. It is a perfect solution for testing and identification of Surface Mount Devices (SMD) as well as for troubleshooting of complex electronic systems.

TESTERS

TESTERS | MASTERY IN MEASUREMENT



Part Number	Description	OAL	Tip Material	Tip coating
ST-5S	Smart tweezers	155 mm 6.10"	anti-acid/anti-mag stainless steel	gold plated
ST5-IT-TSHP	gold plated high precision straight tips	32 mm 1.26"	anti-acid/anti-mag stainless steel	gold plated
ST5-IT-T	gold plated standard straight tips	32 mm 1.26"	anti-acid/anti-mag stainless steel	gold plated
ST5-IT-TB	gold plated standard bent tips	28.5 mm 1.12"	anti-acid/anti-mag stainless steel	gold plated



Part Number	Description	OAL	Tip Material	Tip coating
ST-5S-BT2	Smart Tweezers Bluetooth for iOS & Android	155 mm 6.10"	anti-acid/anti-mag stainless steel	gold plated
ST5-IT-TSHP	gold plated high precision straight tips	32 mm 1.26"	anti-acid/anti-mag stainless steel	gold plated
ST5-IT-T	gold plated standard straight tips	32 mm 1.26"	anti-acid/anti-mag stainless steel	gold plated
ST5-IT-TB	gold plated standard bent tips	28.5 mm 1.12"	anti-acid/anti-mag stainless steel	gold plated



Part Number	Description	OAL	Tip Material	Tip coating
ST-LED	Smart tweezers Led Tester	155 mm 6.10"	anti-acid/anti-mag stainless steel	gold plated



MAGNIFYING LED LAMPS VISUAL INSPECTION



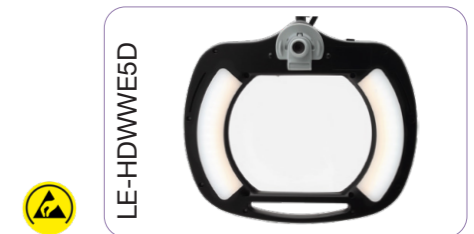
Magnification LED lamp are ideal for assembly, workshop or inspection applications in medical device, electronics, beauty, watchmaking and jewelry industries.

MAGNIFYING LED LAMPS

VISUAL INSPECTION | DON'T MISS A DETAIL



Part Number	Description	LEDs	OAL	ESD
LE-WWE5D	magnifying LED lamp 2.25X (5-Diopter Lens)	warm + cold white	190 mm 7.48"	yes
LE-UVWE5D	magnifying LED lamp 2.25X (5-Diopter Lens)	UV + white	190 mm 7.48"	yes



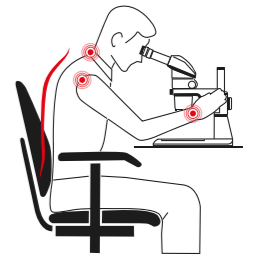
Part Number	Description	LEDs	OAL	ESD
NEW LE-HDWWE5D	HD camera, magnifying LED lamp 2.25X (5-Diopter Lens)	warm + cold white	190 mm 7.48"	yes



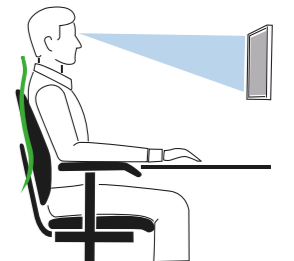
HD INSPECTION CAMERA VISUAL INSPECTION

HD INSPECTION CAMERA

VISUAL INSPECTION | DON'T MISS A DETAIL



STANDARD MICROSCOPE



TEK-SCOPE PLUS

Part Number	Description	OAL	ESD
TEK-SCOPE-PLUS	full high definition desk optical inspection system, 46-460x	450 mm 17.72"	no

TEK-SCOPE PLUS ACCESSORIES



Part Number	Description	OAL	ESD
TEK-TILT-PLUS	TEK-SCOPE-PLUS 360° inspection table and 4D lens	220 mm 8.66"	yes



Part Number	Description	OAL	ESD
TEK-XY	TEK-SCOPE inspection table, precision x-y gliding stage	420 mm 16.54"	yes

Full high definition desk optical inspection system, TEK-SCOPE PLUS promotes correct posture thereby reducing and eliminating workplace related stress issues and injuries.



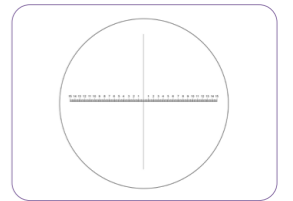
LOUPES VISUAL INSPECTION



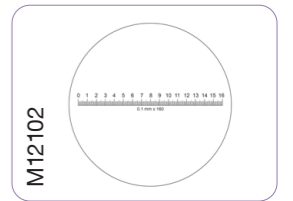
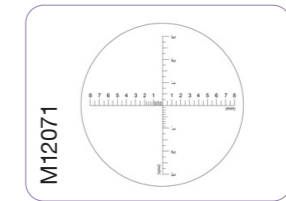
High quality loupes with different scales and magnifications. Essential for identifying and positioning small parts. Designed for a variety of applications including machining, inspection, measurements, and more.

LOUPES

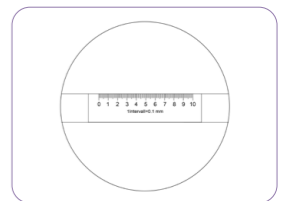
VISUAL INSPECTION | DON'T MISS A DETAIL



Part Number	Description	Magnification	LEDs	OAL
LE-003	loupe with mm scale	10X	yes, white	45 mm 1.77"
LE-003UV	loupe with mm scale	10X	yes, UV	45 mm 1.77"



Part Number	Description	Magnification	LEDs	OAL
M12071	loupe with mm/inch scale	7X	no	42 mm 1.65"
M12102	loupe with mm scale	10X	no	38 mm 1.50"



Part Number	Description	Magnification	LEDs	OAL
818-01	loupe with mm scale	8X	no	40 mm 1.57"





CLEANING PEN SYSTEM VISUAL INSPECTION



Perfect tool for cleaning lenses. The small, lightweight, pen-shaped cleaning tool features a retractable dust removal brush and utilizes a unique non-liquid cleaning element that removes fingerprints without damaging the surface and never dries out.

CLEANING PEN SYSTEM

WORKBENCH ACCESSORIES | DON'T MISS A DETAIL



Part Number	Description	OAL	Tip Material	Body Material
NLP-1	pen-tek with concave tip	112 mm 4.41"	carbon black and goat hair	ABS
NDK-H	triangular tip for NLP-1	40 mm 1.57"	carbon black	-
NLFK-H	flat tip for NLP-1	40 mm 1.57"	carbon black	-
NLP-H	concave tip for NLP-1	40 mm 1.57"	carbon black	-



Part Number	Description	OAL	Tip Material	Body Material
NMCP-1	micro pen-tek with round and flat tip	95 mm 3.74"	carbon black and goat hair	ABS
NMCP-H	round and flat micro-tip for NMCP-1	35 mm 1.38"	carbon black	-





IDEAL-TEK SA

via Motta, 4
6828 Balerna, Switzerland
Tel: +41 91 683 3229 info@ideal-tek.com

ideal-tek.com